



Powerful  
Quiet  
Lightweight

## LE-300

Delivers the **lowest cost per watt** than any other turbine in its class



Designed &  
manufactured  
in the UK

marine & industrial off-grid

# LE-300 Features



## LE-300

Delivers the **lowest cost per watt** than any other turbine in its class

### Features:

#### High outputs

85W at 8m/s (17.8mph), 300W max

#### Quiet

"Quieter than any I have heard", Sailing Today

#### Lowest cost to watt ratio

Highest output for lowest cost

#### Rugged

Withstands the harsh marine environment and extreme wind conditions

#### Light

Weighs just 6.5Kg

#### Piece of mind

5 year warranty

## Renowned for being quiet thanks to our Whispower™ blade design

**This compact and quiet horizontal axis turbine is considered to be the lightest, most powerful and quietest turbine in its class. All at an affordable price.**

The LE-300 is designed around a unique low inertia axial flux generator which utilises Neodymium rare earth magnetic materials. This alternator has zero 'cogging' which, together with its highly efficient and low 'TSR' Whispower blades, allow the turbine to generate power at very low wind speeds and deliver a higher output than the competition in high wind speeds.

The turbine has been designed for harsh environments, surviving destructive high winds by means of a passive aerodynamic design that limits turbine RPM and power output at a certain threshold. It is marine quality finished with bearings sealed for life and fully lubricated, so little maintenance is required.

# LE-300 Technical Overview

**Rotor diameter** - 1 metre

**Rotor Type** - 3-Blade upwind

**Blade Material** - Glass Reinforced, UV resistant Nylon

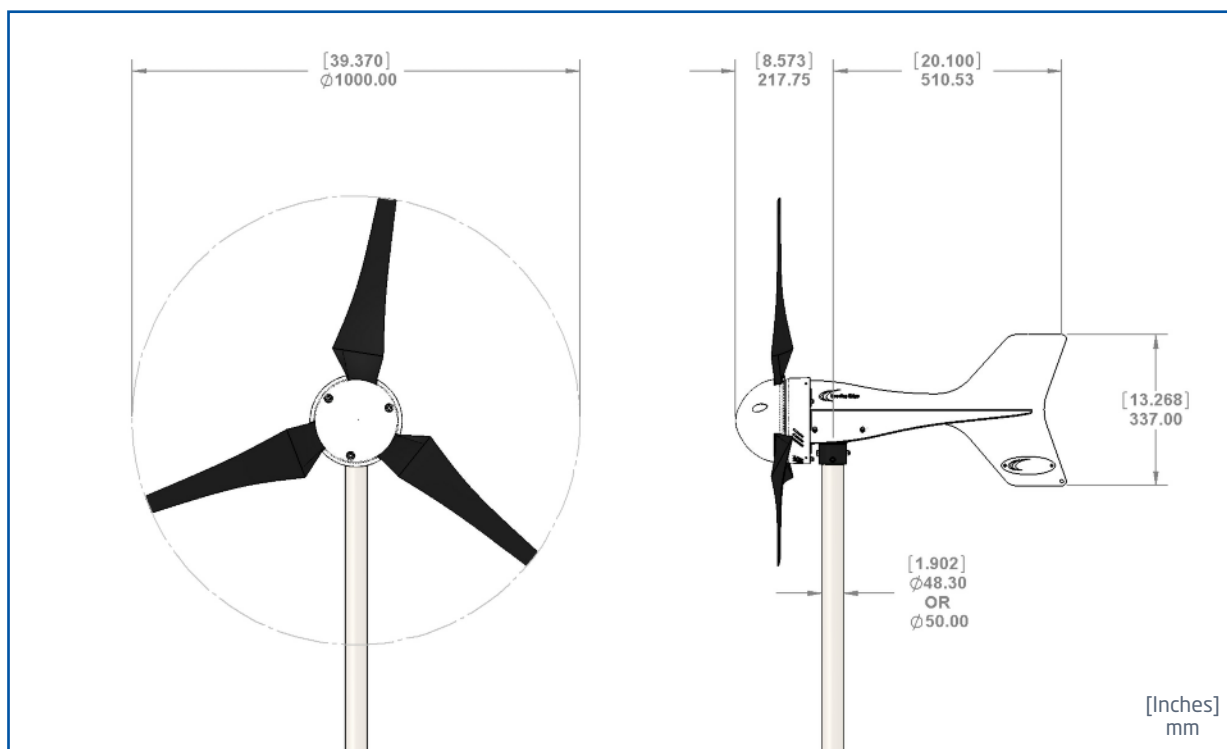
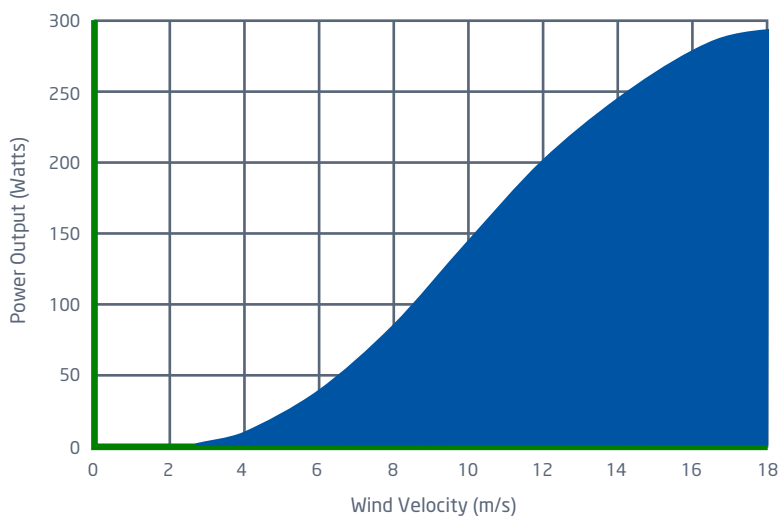
**Rated output** - 85W at 8m/s (18mph)

**Peak output** - 300W

**Cut-in speed** - 3m/s (6.7mph)

**Weight** - 6Kg

**DC output voltage** - 12V, 24V or 48V



The LE-300 has a design life of 20 years, but due to its modular design and ease of maintenance, the turbine could easily run indefinitely.

In a typical stand alone system, the turbine sits on a tower or mounting kit and is connected to a battery via a run/stop switch that allows the turbine to be safely braked and electrically isolated from the circuit. A DL-300 Diversion charge controller is used to divert excess power to a dump load when your batteries are full. The LE-300 can be combined with Solar PV panels in 'power hungry' off-grid renewable energy systems.

# LE-300 Applications



- Marine
- Telemetry
- Telecommunications
- LED Lighting systems
- Road signage
- Off-grid
- Security

Wind turbine performance is subject to many factors. All output data contained in this document is indicative and actual turbine outputs will depend on the prevailing site and installation conditions.

Our LE-300 horizontal axis turbine is a quiet and powerful yet lightweight 300 watt wind generator for battery charging & grid connected applications.

It is used extensively in a variety of industrial applications.

Your local distributor



[www.LPelectric.ro](http://www.LPelectric.ro)

Str: Petresti nr:17  
510184 Alba Iulia  
Romania



[www.Ecovolt.ro](http://www.Ecovolt.ro)

Tel: 0748 210 688  
Tel: 0258 81 80 81  
Florin Fleseriu



Leading Edge Turbines  
Skyrrid Farm | Pontrilas  
Herefordshire | HR2 0BW

Call 0845 652 0396 | Email [info@leturbines.com](mailto:info@leturbines.com)

Copyright © 2013 Leading Edge Turbines