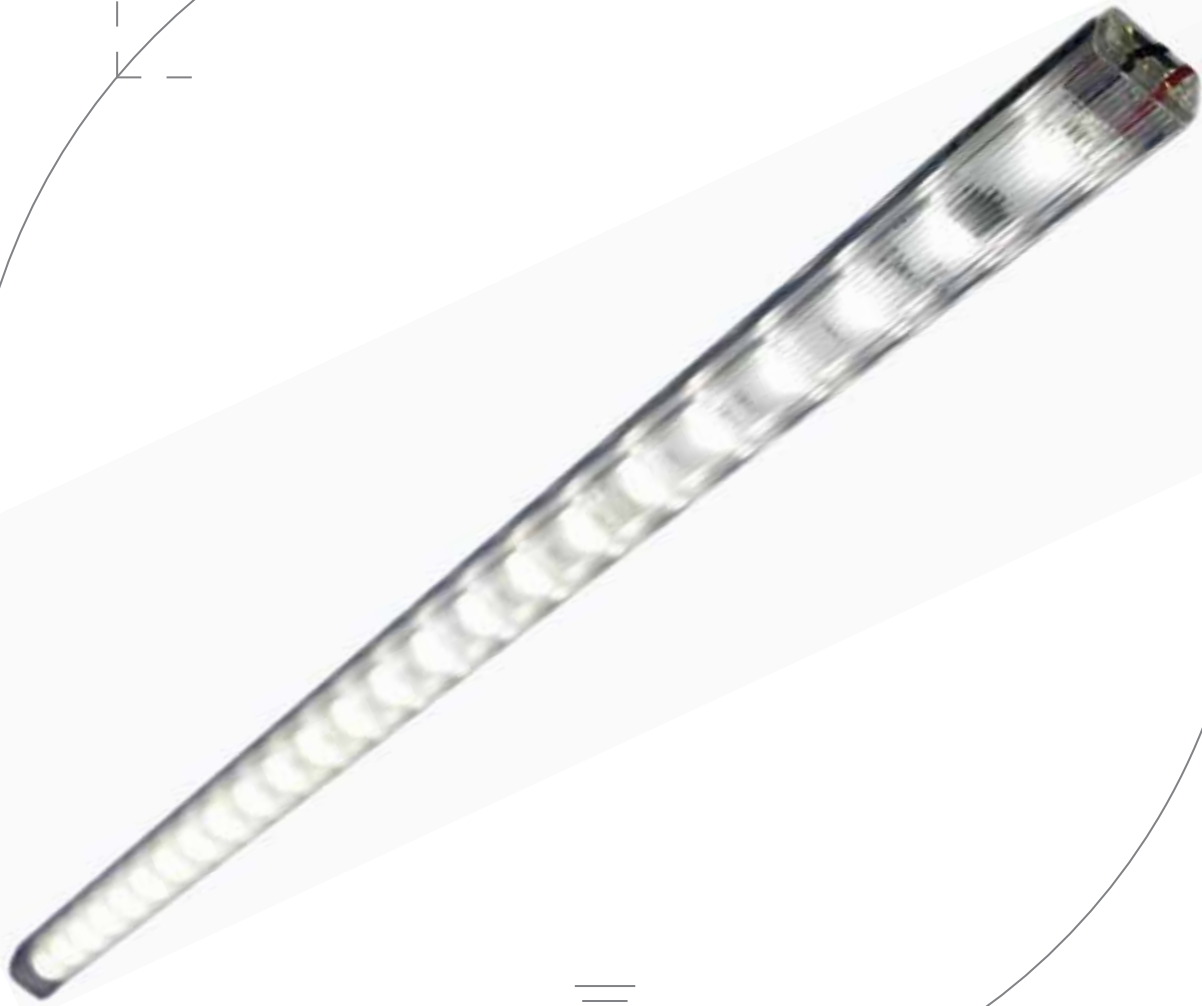
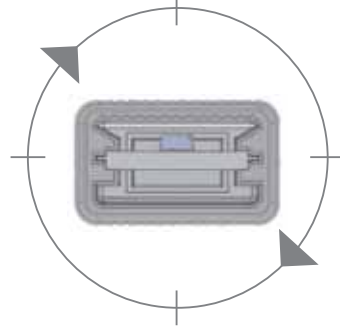


## ■ ORIZON (LEDCW)

- Long life, high intensity Cree LEDs
- 2 year guarantee
- Quick and easy to install
- Waterproof to IP66
- E-type approved

Internal View



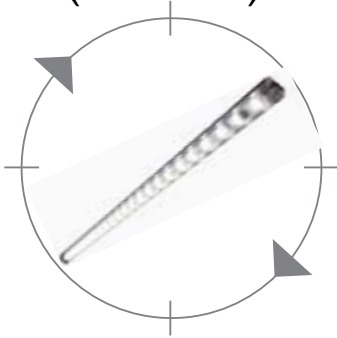
|| See technical specs overleaf >>>

REV D



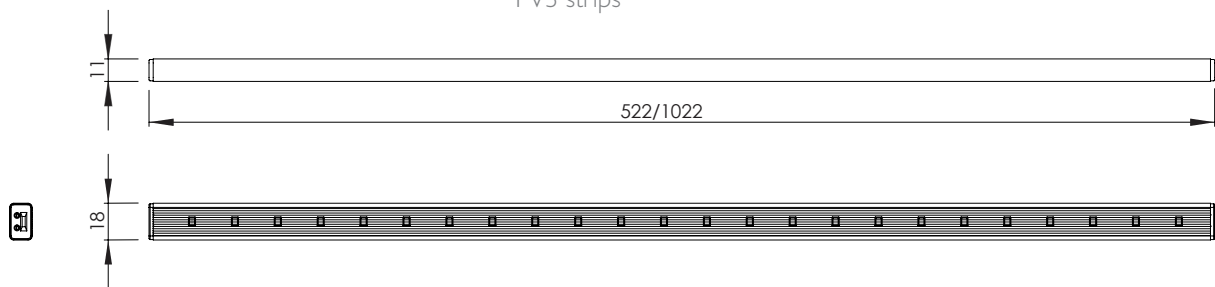
Made in the UK

## ORIZON (LEDCW)



- **Long life, high intensity Cree LEDs<sup>^</sup>** - By using the latest in LED technology, the Orizon offers optimum performance and extended life. The properties of these LEDs give greater luminosity, allowing us to offer a brighter unit whilst using fewer LEDs to maintain low power draw. The LEDs are available in cool-white (LEDCW).
- **2 year guarantee<sup>^</sup>** - The Orizon is the first low cost LED product to have an extended guarantee.
- **Ultra versatile** - The 522mm length strip consists of 24 x high intensity LEDs - doubling to 48 LEDs for the 1022mm length strip - which have a 180° spread of light that will illuminate even the darkest corners. The Orizon has been launched as the most adaptable LED light unit available on the market today; suitable for illuminating lockers, racking, steps and interior lighting applications.
- **Simple and easy to install** - The LED strip can be installed in a variety of ways, from simply using an adhesive strip to fixing with Orizon mounting caps.
- **Waterproof to IP66** - The PCB, components and LEDs are completely encased within a polycarbonate extrusion, which protects against moisture ingress.

<sup>^</sup>PV3 strips



### Specification

ALL DIMENSIONS HAVE A TOLERANCE OF +/- 1mm

		LEDCW 500PV3	LEDCW 500PV3/2	LEDCW 1000PV3	LEDCW 1000PV3/2
Supply Voltage	VDC	12	24	12	24
Voltage Range	VDC	10-14	20-28	10-14	20-28
Average Current	A	0.28 max	0.14 max	0.56 max	0.28 max
Light Output	lm	288	288	576	576
LED Power	W	3.7W	3.7W	7.4W	7.3W
Weight	kg	0.08	0.08	0.15	0.15
Temp. Range	°C	-30 to +40	-30 to +40	-30 to +40	-30 to +40

ORIZON  
(LEDCW)

REV D

Calculations based on average LED values @ 13.2V (for 12V models) and @ 26V (for 24V)

E & OE