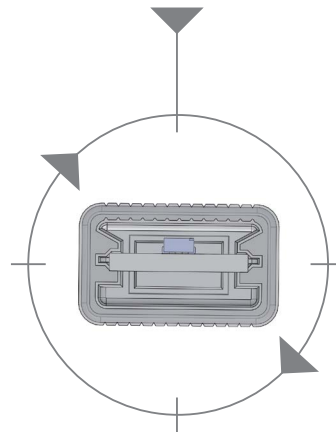


■ **ORIZON (LEDCW)**

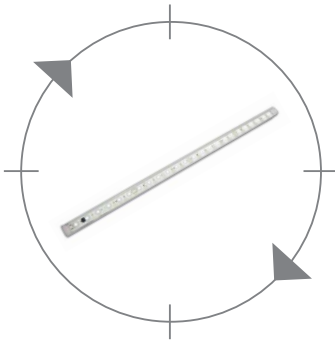
- Long life high intensity LEDs
- 2 year guarantee
- Ultra versatile
- Simple & easy to install
- Waterproof to IP66

Internal View



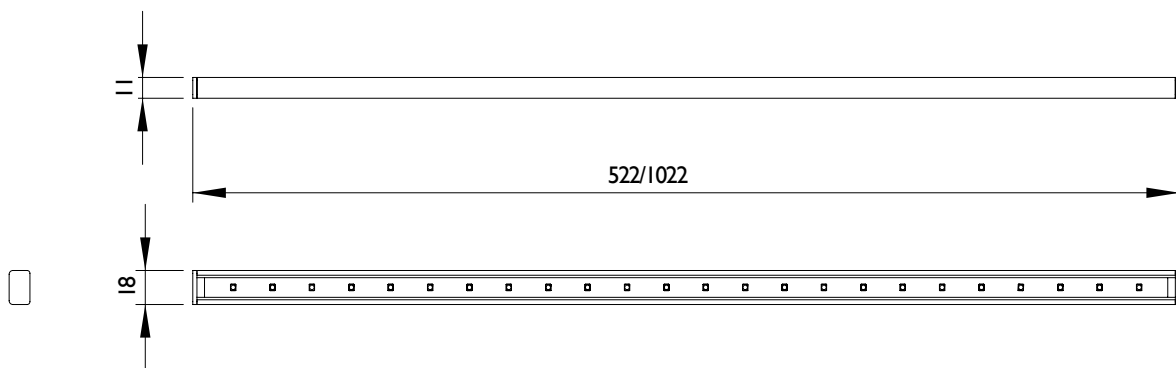
|| See technical specifications overleaf >>>

## ORIZON (LEDCW)



- Long life high intensity LEDs\* – by using the latest in LED technology the Orizon offers optimum performance and extended life. The properties of these LEDs give greater luminosity allowing us to offer a brighter unit whilst using fewer LEDs to maintain the low power draw.
- 2 year guarantee\* – the Orizon is the first low cost LED product to have an extended guarantee.
- Ultra versatile\* – the 522mm length strip consists of 24 x high intensity LEDs, doubling to 48 LEDs for the 1020mm length strip, which have a 180° spread of light that will illuminate even the darkest corners. The Orizon has been launched as the most adaptable LED light unit available on the market today suitable for illuminating lockers, racking, steps and all interior lighting applications.
- Simple and easy to install – the strip can be installed in a variety of ways from simply using an adhesive strip to fixing with clips or brackets (fixing methods not supplied).
- Waterproof to IP66 – the PCB, components and LEDs are completely encased within a polycarbonate extrusion protecting against moisture ingress.
- Available in Cool White (LEDCW) and Warm White (LEDWW).

\* PV3 LED strips



### SPECIFICATION

ALL DIMENSIONS HAVE A TOLERANCE OF +/- 1mm

Model No		LEDCW 500PV3	LEDCW 500PV3/2	LEDCW 1000PV3	LEDCW 1000PV3/2
Supply Voltage	VDC	12	24	12	24
Voltage Range	VDC	10 to 14**	20 to 28**	10 to 14**	20 to 28**
Average Current	A	0.2	0.1	0.4	0.2
LUX @ 1 Metre	LUX	66**	66**	100**	100**
Tube/Bulb/LEDs	W	2.76	2.76	5.5	5.5
Weight	kg	0.08	0.08	0.15	0.15
Temp. Range	°C	-30 to +40	-30 to +40	-30 to +40	-30 to +40

\*\* Based on average LED values @ 13.8V (for 12V models) and @ 28V (for 24V models).

E & OE