

PSk2-21 CS-G80-38/2

Solar Surface Pump System

System Overview

Head	max. 38 m
Flow rate	max. 119 m ³ /h

Technical Data

Controller PSk2-21

- High efficiency solar pump controller
- Hybrid power (solar / grid / generator) support with LORENTZ SmartSolution
- Inputs for water meter, pressure sensors, digital switches
- Simple configuration with LORENTZ PumpScanner Android™ App
- Onboard data logging and system monitoring
- Inbuilt applications for constant pressure, constant flow and daily amount
- Integrated Sun Sensor
- Active temperature management
- Integrated MPPT (Maximum Power Point Tracking)

Power	max. 21 kW
Input voltage	max. 850 V
Optimum Vmp**	> 575 V
Motor current	max. 33 A
Efficiency	max. 98 %
Ambient temp.	-30...50 °C
Enclosure class	IP54

Motor AC DRIVE CS-G 15kW

- Highly efficient 3-phase AC motor
- Frequency: 25...51 Hz

Motor speed	1.400...2.905 rpm
Power factor	0,87
Insulation class	F
Enclosure class	IPX4

Pump End PE CS-G80-38/2

- Premium materials
- Optional: dry running protection
- Centrifugal pump

Pump Unit PUK2-21 CS-G80-38/2 (Motor, Pump End)

Water temperature	max. 90 °C
Suction head	acc. to COMPASS sizing

Standards



2006/42/EC, 2004/108/EC, 2006/95/EC

IEC/EN 61702:1995, IEC/EN 62253 Ed.1

The logos shown reflect the approvals that have been granted for this product family. Products are ordered and supplied with the approvals specific to the market requirements.

**Vmp: MPP-voltage under Standard Test Conditions (STC): 1000 W/m² solar irradiance, 25 °C cell temperature

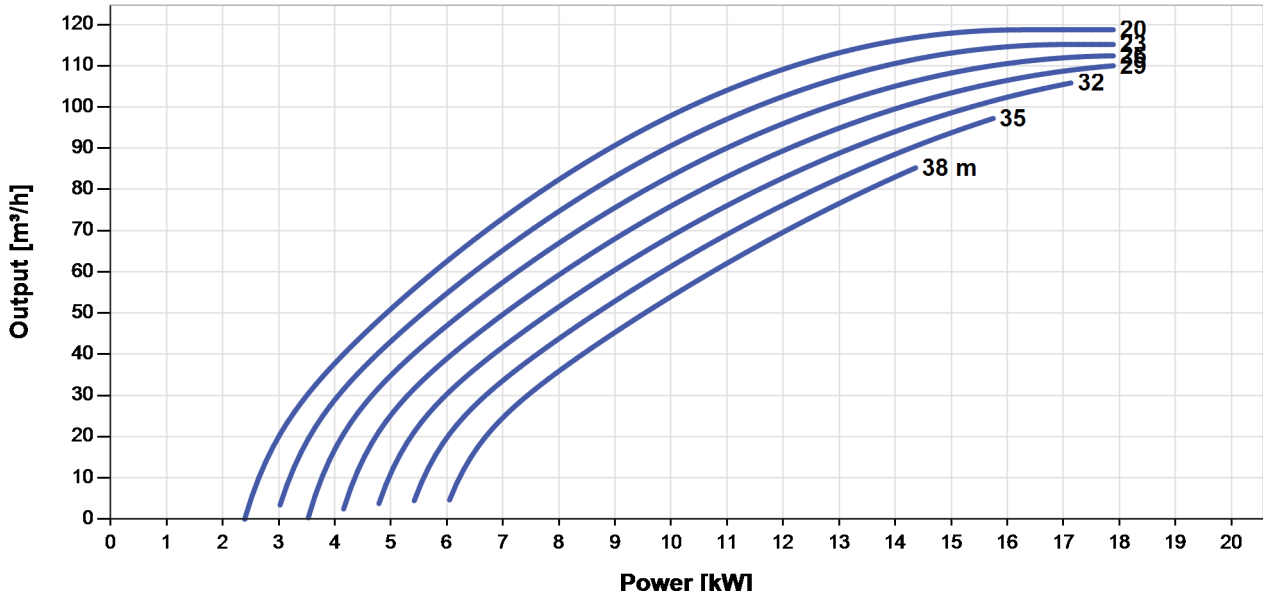


PSk2-21 CS-G80-38/2

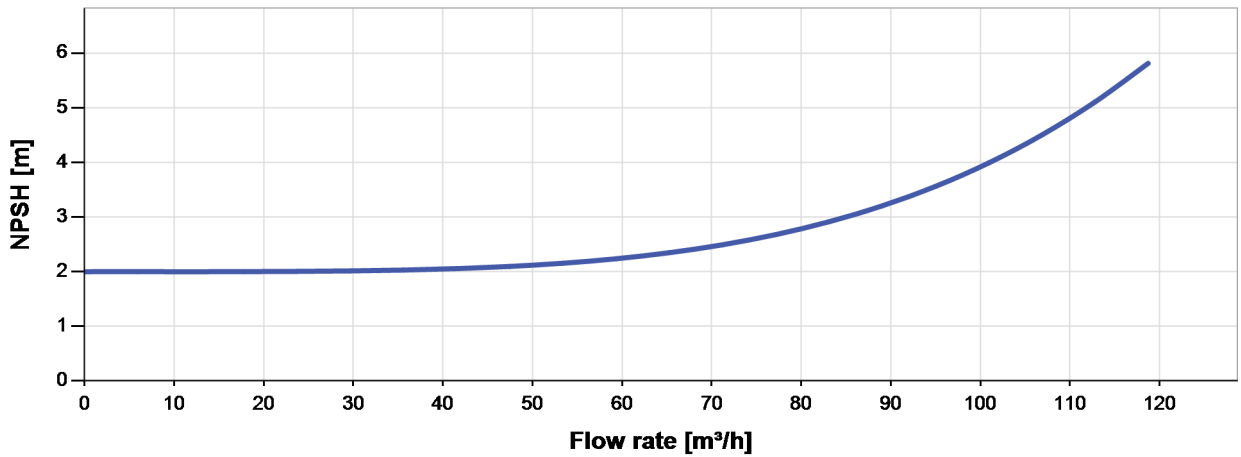
Solar Surface Pump System

Pump Chart

Vmp* > 575 V



NPSH



The NPSH (Net Positive Suction Head) is NOT the operating suction head. To calculate the operating suction head please refer to the installation manual.

*Vmp: MPP-voltage under Standard Test Conditions (STC): 1000 W/m² solar irradiance, 25 °C cell temperature



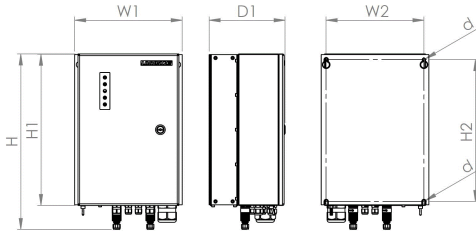
PSk2-21 CS-G80-38/2

Solar Surface Pump System

Dimensions and Weights

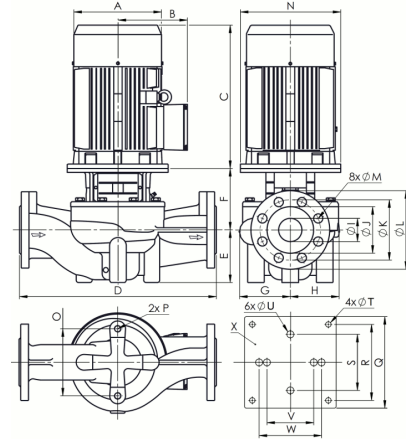
Controller

H = 500 mm
 H1 = 450 mm
 H2 = 421 mm
 W1 = 320 mm
 W2 = 290 mm
 D = 9,0 mm
 D1 = 226 mm



Pump Unit

A = 330 mm
 B = 255 mm
 C = 490 mm
 D = 500 mm
 E = 115 mm
 F = 279 mm
 G = 182 mm
 H = 163 mm
 I = 80 mm
 J = 132 mm
 K = 160 mm
 L = 200 mm
 M = 18 mm
 N = 350 mm
 O = 144 mm
 P = M16
 Q = 235 mm
 R = 195 mm
 S = 144 mm
 T = 14 mm
 U = 18 mm
 V = 120 mm
 W = 160 mm
 X = 35 mm



	Net weight
Controller	18 kg
Pump Unit	192 kg
Motor	117 kg
Pump End	75 kg

