

# PS2-1800 CS-F4-6

## Solar Surface Pump System

### System Overview

Head	max. 50 m
Flow rate	max. 8,5 m³/h

### Technical Data

#### Controller PS2-1800

- Controlling and monitoring
- Control inputs for dry running protection, remote control etc.
- Protected against reverse polarity, overload and overtemperature
- Integrated MPPT (Maximum Power Point Tracking)
- Battery operation: Integrated low voltage disconnect
- Integrated Sun Sensor

Power	max. 1,8 kW
Input voltage	max. 200 V
Optimum Vmp**	> 102 V
Motor current	max. 14 A
Efficiency	max. 98 %
Ambient temp.	-40...50 °C
Enclosure class	IP68

#### Motor ECDRIVE 1800 CS-F

- Maintenance-free brushless DC motor
- Premium materials, stainless steel: AL/AISI 304

Rated power	1,7 kW
Efficiency	max. 92 %
Motor speed	900...3.300 rpm
Insulation class	F
Enclosure class	IPX4

#### Pump End PE CS-F4-6

- Premium materials
- Optional: dry running protection
- Centrifugal pump



#### Pump Unit PU1800 CS-F4-6 (Motor, Pump End)

Water temperature	max. 70 °C
Suction head	acc. to COMPASS sizing

### Standards



2006/42/EC, 2004/108/EC, 2006/95/EC

IEC/EN 61702:1995

The logos shown reflect the approvals that have been granted for this product family. Products are ordered and supplied with the approvals specific to the market requirements.

\*\*Vmp: MPP-voltage under Standard Test Conditions (STC): 1000 W/m² solar irradiance, 25 °C cell temperature

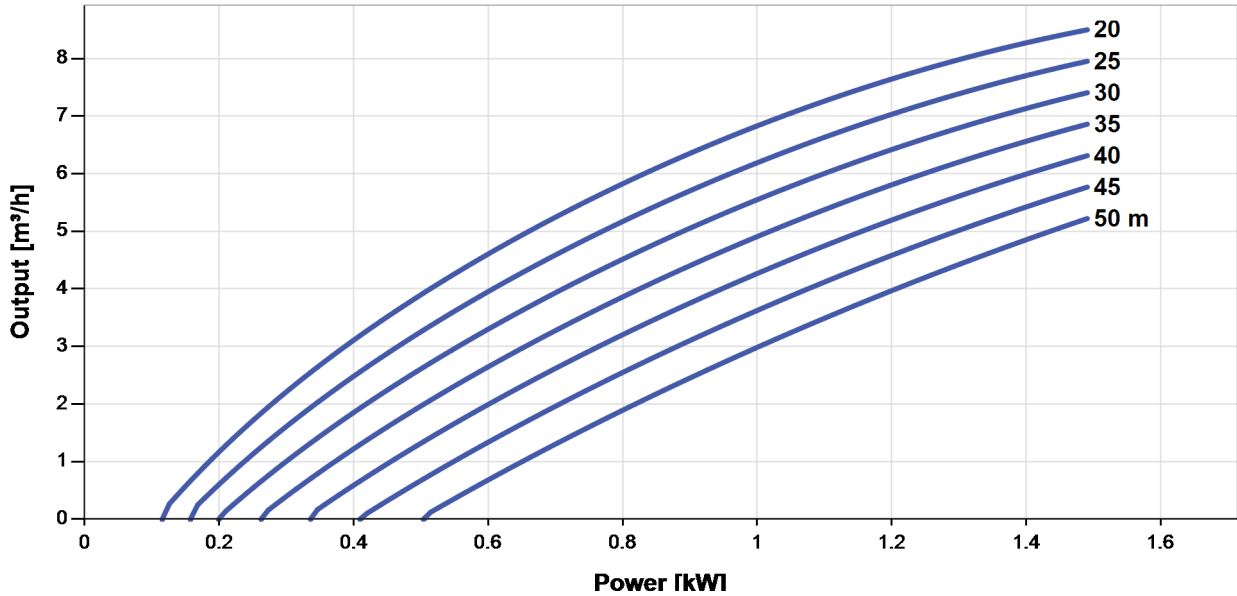


# PS2-1800 CS-F4-6

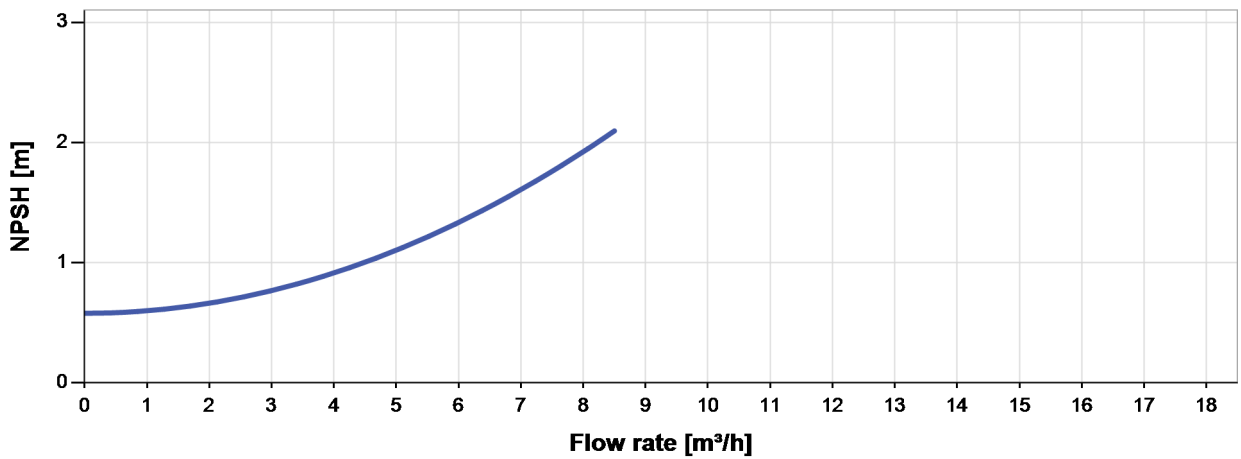
## Solar Surface Pump System

### Pump Chart

Vmp\* > 102 V



### NPSH



The NPSH (Net Positive Suction Head) is NOT the operating suction head. To calculate the operating suction head please refer to the installation manual.

\*Vmp: MPP-voltage under Standard Test Conditions (STC): 1000 W/m² solar irradiance, 25 °C cell temperature



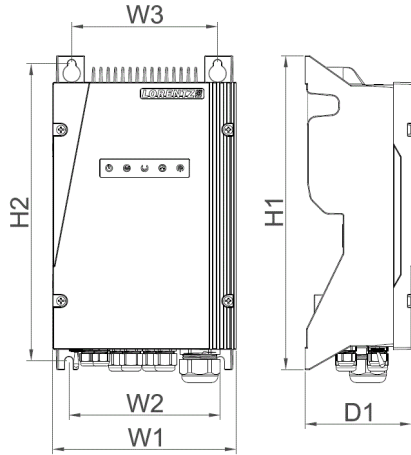
# PS2-1800 CS-F4-6

## Solar Surface Pump System

### Dimensions and Weights

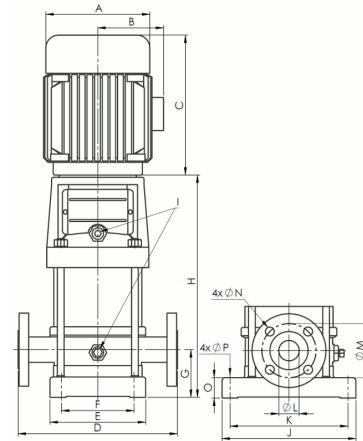
#### Controller

H1 = 352 mm  
 H2 = 333 mm  
 W1 = 207 mm  
 W2 = 170 mm  
 W3 = 164 mm  
 D1 = 124 mm



#### Pump Unit

A = 150 mm  
 B = 120 mm  
 C = 255 mm  
 D = 250 mm  
 E = 150 mm  
 F = 100 mm  
 G = 75 mm  
 H = 394 mm  
 I = G1/2"  
 J = 210 mm  
 K = 180 mm  
 L = 32 mm  
 M = 100 mm  
 N = 18 mm  
 O = 32 mm  
 P = 13 mm



	Net weight
Controller	6,0 kg
Pump Unit	27 kg
Motor	9,9 kg
Pump End	17 kg

