

# PS2-150 C-SJ5-4

## Solar Submersible Pump System for 4" wells

### System Overview

|           |               |
|-----------|---------------|
| Head      | max. 12 m     |
| Flow rate | max. 6,1 m³/h |

### Technical Data

#### Controller PS2-150

- Controlling and monitoring
- Control inputs for dry running protection, remote control etc.
- Protected against reverse polarity, overload and overtemperature
- Integrated MPPT (Maximum Power Point Tracking)
- Battery operation: Integrated low voltage disconnect

|                 |              |
|-----------------|--------------|
| Power           | max. 0,30 kW |
| Input voltage   | max. 50 V    |
| Optimum Vmp**   | > 17 V       |
| Motor current   | max. 22 A    |
| Efficiency      | max. 98 %    |
| Ambient temp.   | -40...50 °C  |
| Enclosure class | IP68         |

#### Motor ECDRIVE 150-C

- Maintenance-free brushless DC motor
- Water filled
- Premium materials, stainless steel: AISI 304/316
- No electronics in the motor

|                  |                 |
|------------------|-----------------|
| Rated power      | 0,3 kW          |
| Efficiency       | max. 92 %       |
| Motor speed      | 600...3.300 rpm |
| Insulation class | F               |
| Enclosure class  | IP68            |
| Submersion       | max. 150 m      |

#### Pump End PE C-SJ5-4

- Non-return valve
- Premium materials, stainless steel: AISI 304
- Optional: dry running protection
- Centrifugal pump



#### Pump Unit PU150 C-SJ5-4 (Motor, Pump End)

|                   |             |
|-------------------|-------------|
| Borehole diameter | min. 4,0 in |
| Water temperature | max. 50 °C  |

### Standards



2006/42/EC, 2004/108/EC, 2006/95/EC

IEC/EN 61702:1995

The logos shown reflect the approvals that have been granted for this product family. Products are ordered and supplied with the approvals specific to the market requirements.

\*\*Vmp: MPP-voltage under Standard Test Conditions (STC): 1000 W/m² solar irradiance, 25 °C cell temperature

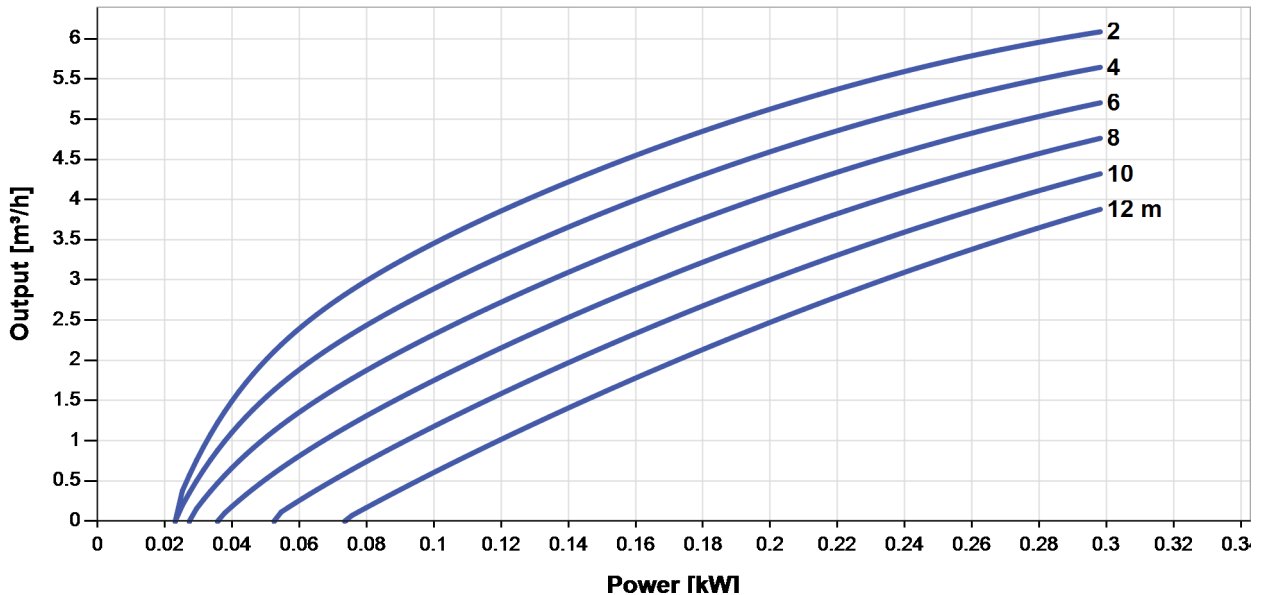


# PS2-150 C-SJ5-4

## Solar Submersible Pump System for 4" wells

### Pump Chart

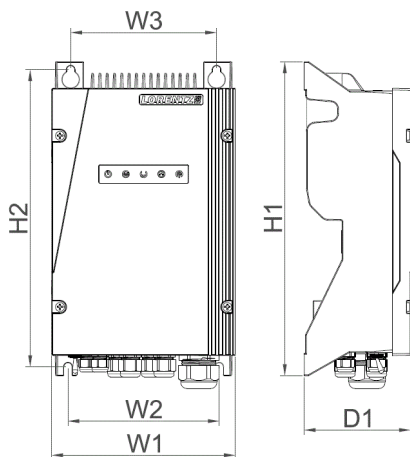
Vmp\* > 17 V



### Dimensions and Weights

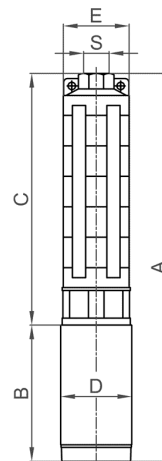
#### Controller

- H1 = 352 mm
- H2 = 333 mm
- W1 = 207 mm
- W2 = 170 mm
- W3 = 164 mm
- D1 = 124 mm



#### Pump Unit

- A = 434 mm
- B = 185 mm
- C = 249 mm
- D = 96 mm
- E = 98 mm
- S = 1,5 in



|            | Net weight |
|------------|------------|
| Controller | 5,6 kg     |
| Pump Unit  | 10 kg      |
| Motor      | 7,0 kg     |
| Pump End   | 3,0 kg     |

\*Vmp: MPP-voltage under Standard Test Conditions (STC): 1000 W/m² solar irradiance, 25 °C cell temperature

