

Pure Sinewave Inverter 1500W

RoHS Compliant
Directive 2002/95/EC

ISO 9001



Pure sinewave



Digital display



Power save mode



Remote control port



High frequency technology



Light weight perfect for vehicles



Multiple electronic protection

Applications

- Telecom Power Plants
- Marine & other rugged environments
- Electric Utilities and Substations
- Base Station Power
- Industrial Controls
- Solar Home Systems
- Fuel Cell Applications
- Solar / Alternative Power Systems
- Emergency Power Backup (UPS)
- Pleasure and holidays
- Development aid
- Office equipment
- Power tools

Sinewave Inverter

Series HIPHOP pro 1500W

Description

The model 1500W pure sinewave inverter supplies a 230VAC output voltage either from a 12V, 24V, or 48 VDC power source. The shape of the output voltage is pure sinewave - as from the grid.

All new High Frequency Switching Design offers high power and reliability in a compact package and light weight.

Extra input and output filtering reduce EMI to extremely low levels. Reliability features include an input fuse, thermal shutdown, current limiting and output short circuit shutdown.

The input and output is fully isolated.

The superb overload capability supplies short time peak power to start heavy equipment such as pumps and compressors.

The LCD display shows current operating conditions. Optional features include a Remote Control.

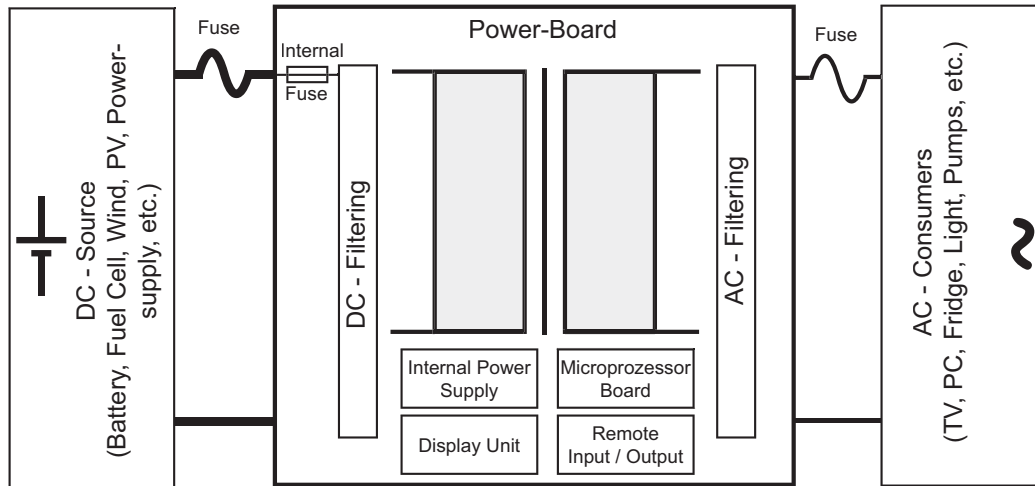
Features

- Fully Isolated Design
- Outstanding efficiency at full load
- Crystal controlled output frequency
- Pure and fast regulated sinewave output
- Low ripple on the DC-Input to save battery life time
- Power save mode with auto sense
- Digital display (6 functions): VAC, AMP, WATT, VDC, TEMP, frequency and error message
- Over-temperature shutdown
- Short circuit protection
- Low input voltage protection
- Cycle by cycle current limiting
- Softstart
- Load and temperature controlled fan
- 24 month parts and labour warranty

Options

- Remote Control
- 115VAC output voltage

Block Diagram



Specifications (Specifications Subject to Change Without Notice)

Electrical (output)

Output Voltage (VAC)	200 - 240 +/- 2% (adjustable)
Output Frequency (Hz)	50 - 60 +/- 0.05% (selectable)
Continous Output Power (W)	1500
Output Power for 3 min. (W)	1650
Surge Rating (W)	3000
Output Waveform	Pure Sinewave < THD 3%
Protection circuitry	Short circuit, Overload, Overtemperature
Indicators	OTP, OLP, VAC, AMP, WATT, Hz
Power Factor	0.5 - 1 (COS Phi)

Environmental Specifications

Operating Temp. Range	-20° to +60°C Derating Linearly 4% per °C from 40°C
Humidity	0 - 95% Relative Humidity (non-condensing)
Audible Noise	NONE, 0db @ 1m (Fan OFF)
Fan	Load and temperature controlled
Isolation	Input-Output 1100VDC, Input-Case 1100VDC Output-Case 500VDC

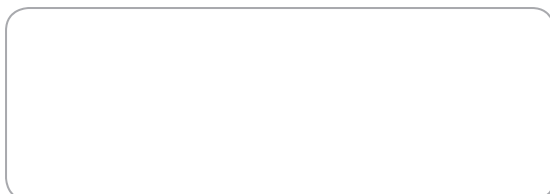
Electrical (input)

Input Voltage (VDC)	12	24	48
Voltage Range (VDC)	10 - 16	20 - 32	42 - 62
Amps @ Pnom (A)	142	69	34
Protection circuitry	Over Voltage, Under Voltage		
No Load Current Draw (A)	1.6	0.7	0.36
Power save mode (A)	0.125	0.06	0.03
Efficiency max.	92%	93%	95%
Efficiency @full load	87%	90%	92%
Indicators	OVP, UVP, VDC		

Mechanical Specifications

Length	41.3 cm
Width	27.8 cm
Height	10.2 cm
Clearance	2.5 cm all around
Material	Aluminium
Finish	Anodize / Powder Epoxy Coat
Weight	7.2 Kg
Connections	DC-clamps, AC-connector or SCHUKO (IEC Connector supplied with inverter)
Warranty	2 years
Standards	Approval to CE, e-Mark, LVD

Available from:



RIPEnergy®

The power conversion company

RIPEnergy AG
Wägitalstrasse 24
CH-8854 Siebnen
Switzerland

Ph +41-(0)43-818 53 85
Fax +41-(0)43-818 53 87
www.ripenergy.ch