

Rolls

S2-2680GEL
2V 2680 AH @C20

VALVE REGULATED GEL BATTERY



Rolls
BATTERY ENGINEERING
BY SURRETTE BATTERY COMPANY

SAI GLOBAL
ISO 9001
Quality

CONSTANT CURRENT DISCHARGE

CUT OFF VOLTAGE V/CELL	30M	1HR	2HR	3HR	5HR	6HR	8HR	10HR	20HR
1.6V	2313	1580	958	688	443	398	303	263	138

SPECIFICATIONS

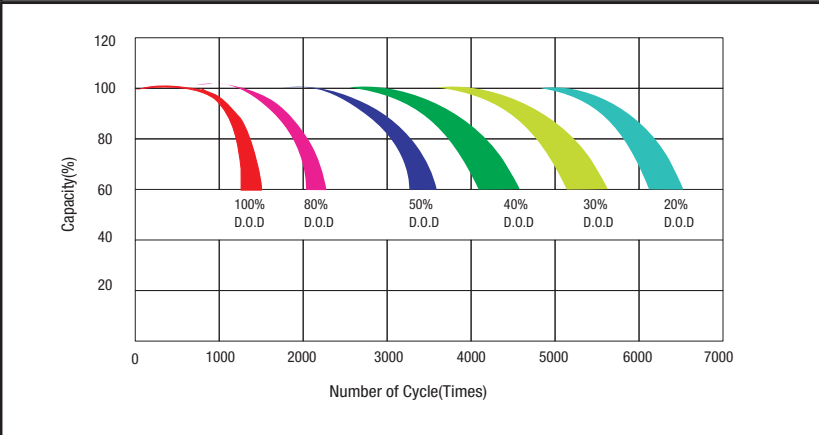
Nominal Voltage		2 Volt
Rated Capacity (20 hour rate)		2680 AH
Dimensions	Total Height (including terminals)	807mm / 31.77"
	Length	487mm / 19.17"
	Width	212mm / 8.35"
	Weight	418.88 lbs / 190.0 Kg



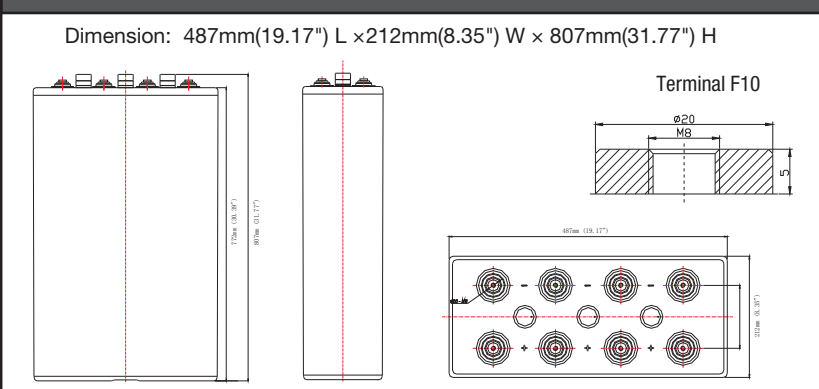
CHARACTERISTICS

Capacity 77°F (25°C)	100 Hour Rate	3130 AH
	20 Hour Rate	2680 AH
	10 Hour Rate	2500 AH
Internal Resistance	Full charged Battery 77°F (25°C)	0.20mΩ
Capacity Affected by Temperature (20hr rate)	104°F (40°C)	105%
	77°F (25°C)	100%
	32°F (0°C)	89%
	5°F (-15°C)	79%
Self-Discharge	Less than 2% per month at 77°F (25°C)	
Max Discharge 77°F (25°C)	10000A (5s)	
Terminal	Standard	Thread insert & Bolt (F10-M8)
Float Charging Voltage Range	2.25 to 2.3 VDC/unit Average at 25°C	
Max Charge Current	500 Amps	

CYCLE LIFE



SIZE & DETAILED ILLUSTRATION



TEMP EFFECTS ON LIFE AT FLOAT CHARGE

