

Rolls

S2-215GEL
2V 215 AH @C20

TUBULAR POSITIVE - PO₂V - VALVE REGULATED GEL BATTERY



Rolls
BATTERY ENGINEERING
BY SURRETTE BATTERY COMPANY

CONSTANT CURRENT DISCHARGE

CUT OFF VOLTAGE V/CELL	1HR	2HR	3HR	4HR	5HR	6HR	8HR	10HR	20HR
1.75V	111.4	69.40	50.44	39.40	34.00	30.60	23.67	20.40	10.71

SPECIFICATIONS

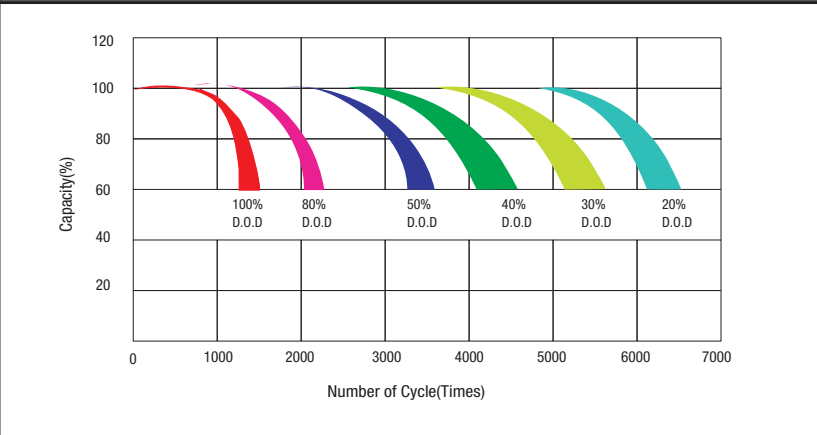
Nominal Voltage		2 Volt
Rated Capacity (20 hour rate)		215 AH
Dimensions	Total Height (including terminals)	390mm / 15.35"
	Length	103mm / 4.05"
	Width	206mm / 8.11"
	Weight	37.04 lbs / 16.8 Kg



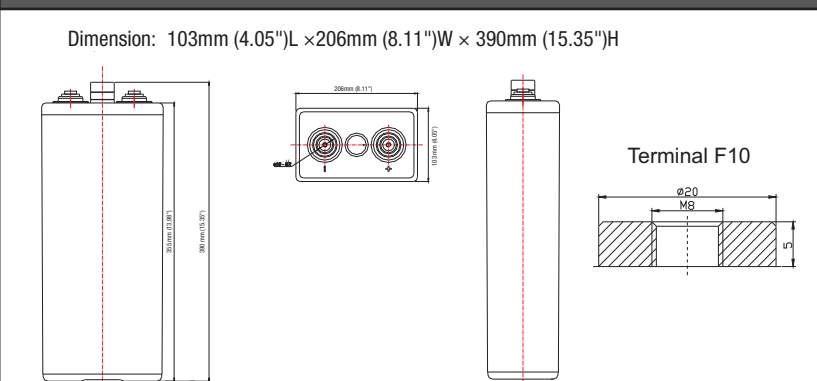
CHARACTERISTICS

Capacity 77°F (25°C)	100 Hour Rate	257 AH
	20 Hour Rate	215 AH
	10 Hour Rate	200 AH
Internal Resistance	Full charged Battery 77°F (25°C)	0.6mΩ
Capacity Affected by Temperature (20hr rate)	104°F (40°C)	105%
	77°F (25°C)	100%
	32°F (0°C)	89%
	5°F (-15°C)	79%
Self-Discharge	Less than 2% per month at 77°F (25°C)	
Max Discharge 77°F (25°C)	1000A (5s)	
Terminal	Standard	Thread insert & Bolt (F10-M8)
Float Charging Voltage Range	2.25 to 2.3 VDC/unit Average at 25°C	
Max Charge Current	40 Amps	

CYCLE LIFE



SIZE & DETAILED ILLUSTRATION



TEMP EFFECTS ON LIFE AT FLOAT CHARGE

