

Rolls

S2-1070GEL
2V 1070 AH @C20

VALVE REGULATED GEL BATTERY



CONSTANT CURRENT DISCHARGE

| CUT OFF VOLTAGE V/CELL | 30MIN | 1HR | 2HR | 3HR | 4HR | 6HR | 8HR | 10HR | 20HR |
|------------------------|-------|-------|-------|-------|-------|-------|-------|-------|-------|
| 1.75V | 780.0 | 557.0 | 347.0 | 252.2 | 197.0 | 153.0 | 118.3 | 102.0 | 53.55 |



Rolls
BATTERY ENGINEERING
BY SURRETTE BATTERY COMPANY

SPECIFICATIONS

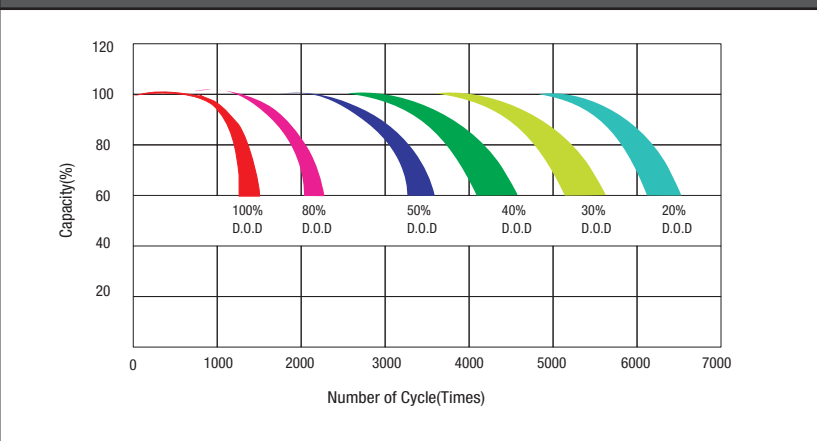
| | | |
|-------------------------------|------------------------------------|--------------------|
| Nominal Voltage | | 2 Volt |
| Rated Capacity (20 hour rate) | | 1070 AH |
| Dimensions | Total Height (including terminals) | 681mm / 26.81" |
| | Length | 233mm / 9.17" |
| | Width | 210mm / 8.27" |
| | Weight | 176.37 lbs / 80 Kg |



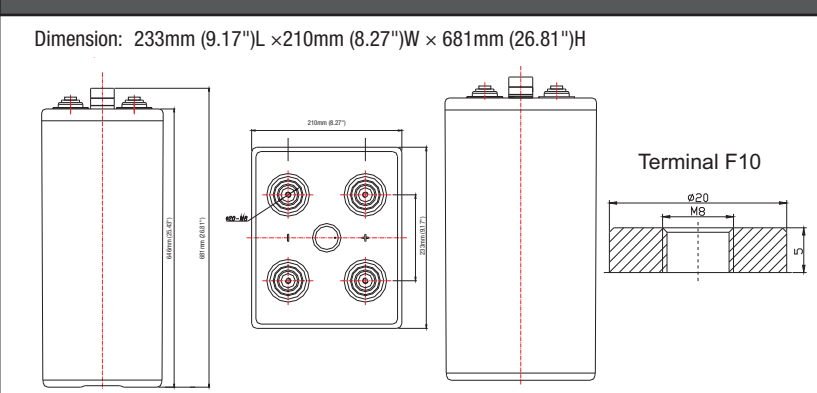
CHARACTERISTICS

| | | |
|--|---------------------------------------|-------------------------------|
| Capacity 77°F (25°C) | 100 Hour Rate | 1250 AH |
| | 20 Hour Rate | 1070 AH |
| | 10 Hour Rate | 1000 AH |
| Internal Resistance | Full charged Battery 77°F (25°C) | 0.27mΩ |
| Capacity Affected by Temperature (20hr rate) | 104°F (40°C) | 105% |
| | 77°F (25°C) | 100% |
| | 32°F (0°C) | 89% |
| | 5°F (-15°C) | 79% |
| Self-Discharge | Less than 2% per month at 77°F (25°C) | |
| Max Discharge 77°F (25°C) | 3800A (5s) | |
| Terminal | Standard | Thread insert & Bolt (F10-M8) |
| Float Charging Voltage Range | 2.25 to 2.3 VDC/unit Average at 25°C | |
| Max Charge Current | 200 Amps | |

CYCLE LIFE



SIZE & DETAILED ILLUSTRATION



TEMP EFFECTS ON LIFE AT FLOAT CHARGE

