



**DEEP CYCLE**  
**SERIES: 5000**  
**MODEL: 4 KS 27P**

**BATTERY ENGINEERING**  
 WWW.ROLLSBATTERY.COM MADE IN CANADA

**BATTERY TYPE: 4 VOLTS**

**DIMENSIONS:**

**LENGTH** 400 MM 15 3/4 INCHES  
**WIDTH** 270 MM 10 5/8 INCHES  
**HEIGHT** 629 MM 24 3/4 INCHES

**WEIGHTS:**

**WEIGHT DRY** 113 KG 249 LBS.  
**WEIGHT WET** 154 KG 339 LBS.

**CONTAINER CONSTRUCTION:**

**CONTAINER: (INNER)** POLYPROPYLENE  
**COVER: (INNER)** POLYPROPYLENE - HEAT SEALED TO INNER CONTAINER  
**CONTAINER: (OUTER)** HIGH DENSITY POLYETHYLENE  
**COVER: (OUTER)** HIGH DENSITY POLYETHYLENE SNAP FIT TO OUTER CONTAINER  
**TERMINALS:** FLAG WITH STAINLESS STEEL NUTS AND BOLTS  
**HANDLES:** MOLDED

**PLATES:**

**POSITIVE PLATE DIMENSION:**  
**HEIGHT** 432 MM 17.000 INCHES  
**WIDTH** 143 MM 5.625 INCHES  
**THICKNESS** 6.99 MM 0.275 INCHES

**NEGATIVE PLATE DIMENSION:**  
**HEIGHT** 432 MM 17.000 INCHES  
**WIDTH** 143 MM 5.625 INCHES  
**THICKNESS** 4.57 MM 0.180 INCHES

**CELLS:** 2 **PLATES/CELL:** 27

POSITIVE PLATE DOUBLE WRAPPED WITH SLYVER ENVELOPED WITH HEAVY DUTY SEPARATOR

**SEPARATOR:**  
**THICKNESS** 3 MM 0.105 INCHES

**INSULATION:**  
**GLASS MAT** 1 MM 0.020 INCHES

**CAPACITY:**

**CRANK AMPS:**  
**COLD (CCA)** 0°F / -17.8°C 4023  
**MARINE (MCA)** 32°F / 0°C 5030

**ELECTROLYTE RESERVE:**  
**ABOVE PLATES** 95 MM 3.75 INCHES

**RESERVE CAPACITY:**  
**RC @ 25A** 4648 MINUTES

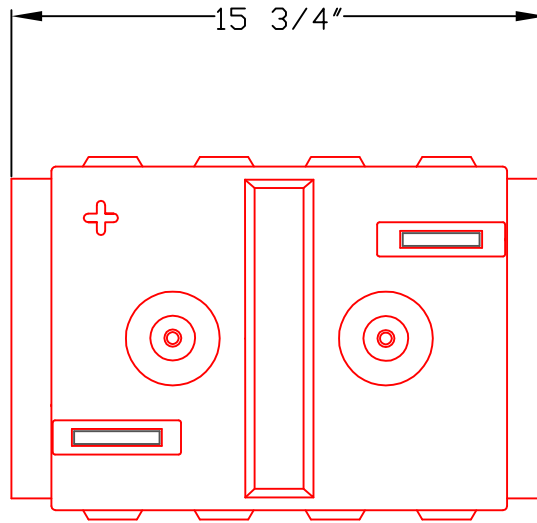
**20 HR RATE: 1460**

	<b>HOUR RATE</b>	<b>SPECIFIC GRAVITY</b>	<b>CAP / AH</b>	<b>CURRENT / AMPS</b>
CAPACITY @	100 HOUR RATE	1.280 SP. GR.	2062	20.62
CAPACITY @	72 HOUR RATE	1.280 SP. GR.	1942	26.97
CAPACITY @	50 HOUR RATE	1.280 SP. GR.	1796	35.92
CAPACITY @	24 HOUR RATE	1.280 SP. GR.	1518	63.3
<b>CAPACITY @</b>	<b>20 HOUR RATE</b>	<b>1.280 SP. GR.</b>	<b>1460</b>	<b>73.0</b>
CAPACITY @	15 HOUR RATE	1.280 SP. GR.	1358	90.5
CAPACITY @	12 HOUR RATE	1.280 SP. GR.	1270	105.9
CAPACITY @	10 HOUR RATE	1.280 SP. GR.	1212	121.2
CAPACITY @	8 HOUR RATE	1.280 SP. GR.	1139	142.4
CAPACITY @	6 HOUR RATE	1.280 SP. GR.	1037	172.8
CAPACITY @	5 HOUR RATE	1.280 SP. GR.	978	196
CAPACITY @	4 HOUR RATE	1.280 SP. GR.	905	226
CAPACITY @	3 HOUR RATE	1.280 SP. GR.	818	273
CAPACITY @	2 HOUR RATE	1.280 SP. GR.	701	350
CAPACITY @	1 HOUR RATE	1.280 SP. GR.	496	496



1 STATION RD SPRINGHILL, NOVA SCOTIA CANADA B0M 1X0 1.800.681.9914

REV.1  
 Aug-12  
 4 KS 27P



PART NUMBER: 4-KS-27P

WEIGHT WET: 339 LB / 154 KG

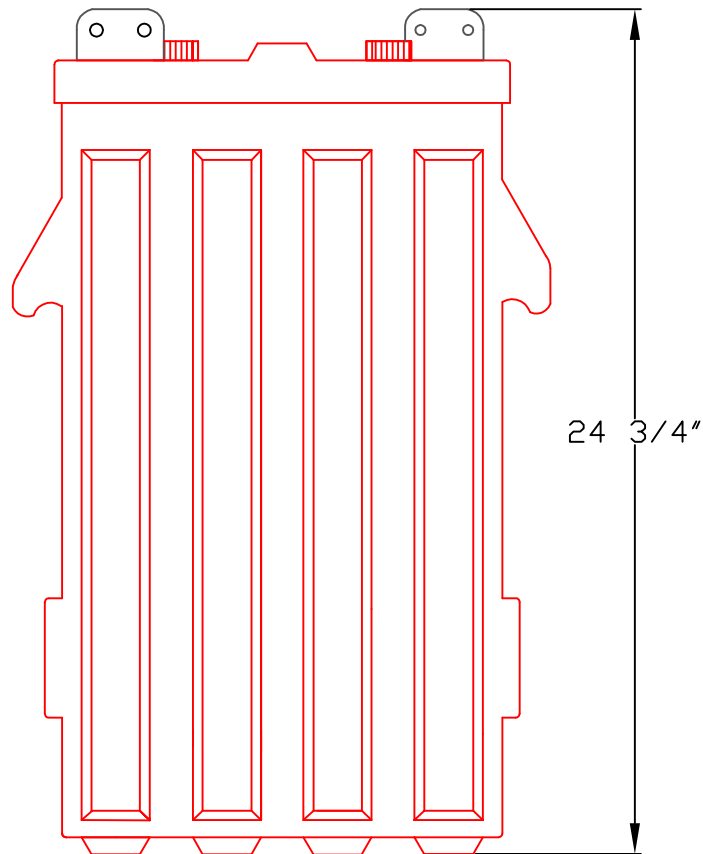
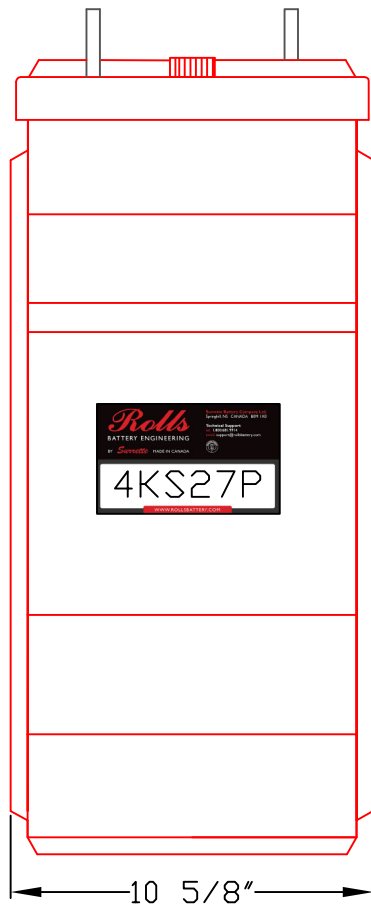
WEIGHT DRY: 222 LB / 101 KG

CAPACITY: 1,460 AH 20 HR  
2,062 AH 100 HR

VOLTAGE: 4 V

OVERALL DIMENSIONS: 15<sup>3</sup>/<sub>4</sub>" x 10<sup>5</sup>/<sub>8</sub>" x 24<sup>3</sup>/<sub>4</sub>"

 MAX HEIGHT WITH OPTIONAL HYDROCAPS: 25<sup>1</sup>/<sub>8</sub>" / 638MM



**Rolls**  
BATTERY ENGINEERING

TITLE:

4KS27P

DESCRIPTION:

4V / 2 CELL 27 PLATE (KS)  
DEEP CYCLE 500/5000 SERIES

CONTACT INFO:

WEB: WWW.SURRETTE.COM  
E-MAIL: SALES@SURRETTE.COM  
PHONE: 1-800-681-9914

SCALE: 1" = 6" 1" = 4" JPEGI  
8.5" X 11" 11" X 17" NOT TO SCALE

DATE: 4-SEP-12 REVISION 0

DRAWING NO.: 4KS27P.dwg