



DEEP CYCLE
SERIES: 5000
MODEL: 4 KS 25P

BATTERY ENGINEERING
WWW.ROLLSBATTERY.COM MADE IN CANADA

BATTERY TYPE: 4 VOLTS

DIMENSIONS:

LENGTH	400 MM	15 3/4 INCHES
WIDTH	270 MM	10 5/8 INCHES
HEIGHT	629 MM	24 3/4 INCHES

WEIGHTS:

WEIGHT DRY	100 KG	220 LBS.
WEIGHT WET	143 KG	315 LBS.

CONTAINER CONSTRUCTION:

CONTAINER: (INNER)	POLYPROPYLENE	TERMINALS:	FLAG WITH STAINLESS STEEL NUTS AND BOLTS
COVER: (INNER)	POLYPROPYLENE - HEAT SEALED TO INNER CONTAINER	HANDLES:	MOLDED
CONTAINER: (OUTER)	HIGH DENSITY POLYETHYLENE		
COVER: (OUTER)	HIGH DENSITY POLYETHYLENE SNAP FIT TO OUTER CONTAINER		

PLATES:

POSITIVE PLATE DIMENSION:

HEIGHT	432 MM	17.000 INCHES
WIDTH	143 MM	5.625 INCHES
THICKNESS	6.99 MM	0.275 INCHES

NEGATIVE PLATE DIMENSION:

HEIGHT	432 MM	17.000 INCHES
WIDTH	143 MM	5.625 INCHES
THICKNESS	4.57 MM	0.180 INCHES

CELLS: 2 **PLATES/CELL:** 25

POSITIVE PLATE DOUBLE WRAPPED WITH SLYVER ENVELOPED WITH HEAVY DUTY SEPARATOR

SEPARATOR:
THICKNESS 3 MM 0.105 INCHES

INSULATION:
GLASS MAT 1 MM 0.020 INCHES

CAPACITY:

CRANK AMPS:		
COLD (CCA)	0°F / -17.8°C	3714
MARINE (MCA)	32°F / 0°C	4643

ELECTROLYTE RESERVE:
ABOVE PLATES 95 MM 3.75 INCHES

RESERVE CAPACITY:
RC @ 25A 4290 MINUTES

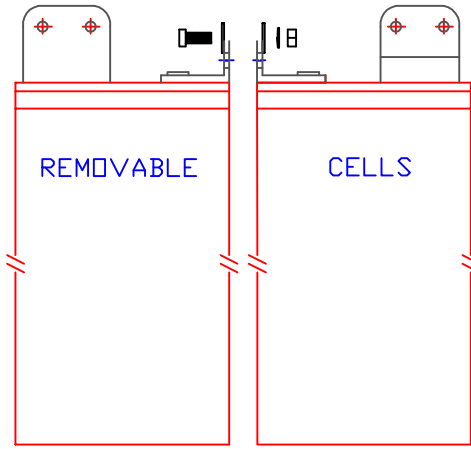
20 HR RATE: 1350

	20 HOUR RATE	SPECIFIC GRAVITY	CAP / AH	CURRENT / AMPS
CAPACITY @	100 HOUR RATE	1.280 SP. GR.	1904	19.04
CAPACITY @	72 HOUR RATE	1.280 SP. GR.	1796	24.94
CAPACITY @	50 HOUR RATE	1.280 SP. GR.	1661	33.21
CAPACITY @	24 HOUR RATE	1.280 SP. GR.	1404	58.5
CAPACITY @	20 HOUR RATE	1.280 SP. GR.	1350	67.5
CAPACITY @	15 HOUR RATE	1.280 SP. GR.	1256	83.7
CAPACITY @	12 HOUR RATE	1.280 SP. GR.	1175	97.9
CAPACITY @	10 HOUR RATE	1.280 SP. GR.	1121	112.1
CAPACITY @	8 HOUR RATE	1.280 SP. GR.	1053	131.6
CAPACITY @	6 HOUR RATE	1.280 SP. GR.	959	159.8
CAPACITY @	5 HOUR RATE	1.280 SP. GR.	905	181
CAPACITY @	4 HOUR RATE	1.280 SP. GR.	837	209
CAPACITY @	3 HOUR RATE	1.280 SP. GR.	756	252
CAPACITY @	2 HOUR RATE	1.280 SP. GR.	648	324
CAPACITY @	1 HOUR RATE	1.280 SP. GR.	459	459

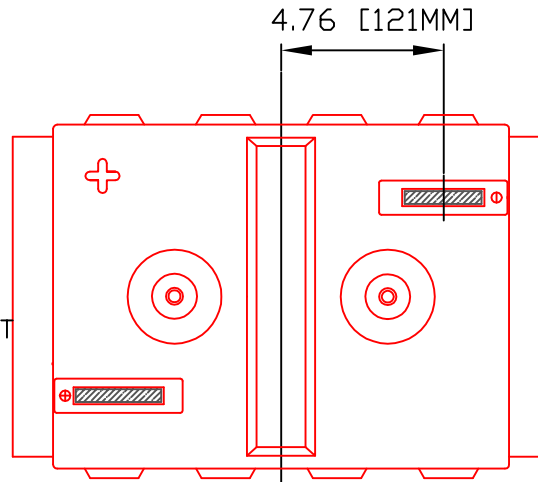


1 STATION RD SPRINGHILL, NOVA SCOTIA CANADA B0M 1X0 1.800.681.9914

REV.2
 Jan-10
 4 KS 25P



BOLT-ON CONNECTOR ASSEMBLY
2 X 316 SS NUT, WASHERS, LOCK WASHER AND BOLT



PART NUMBER: 4-KS-25P

WEIGHT WET: 315 LB / 143 KG

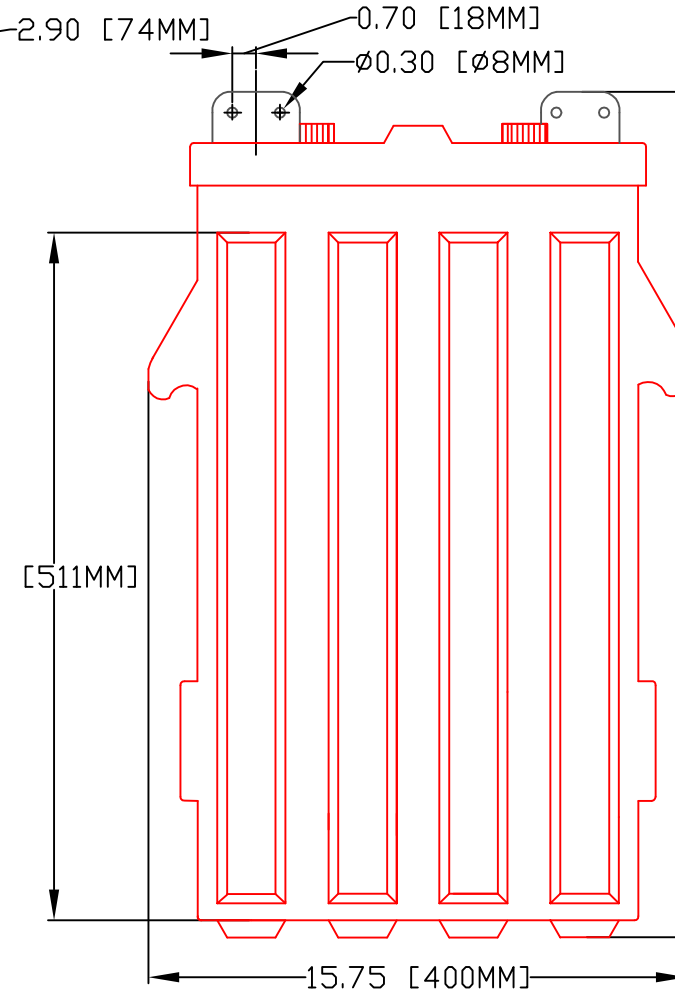
WEIGHT DRY: 220 LB / 100 KG

CAPACITY: 1,350 AH 20 HR

VOLTAGE: 4 V

OVERALL DIMENSIONS: 15³/₄" X 10⁵/₈" X 24³/₄"

MAX HEIGHT WITH OPTIONAL HYDROCAPS: 25.13" / 638MM



TITLE: 4KS25P

DESCRIPTION: 4V / 2 CELL 25 PLATE (KS) DEEP CYCLE

CONTACT INFO:
WEB: WWW.ROLLSBATTERY.COM
E-MAIL: SALES@ROLLSBATTERY.COM
PHONE: 1-800-681-9914

SCALE: 1" = 6" 8.5" X 11" 1" = 4" 11" X 17" JPEG: NOT TO SCALE

Drawn by: S. WILES Approved By: D. SURRETTE

DATE: JAN-2010 REVISION 2.0

DRAWING NO.: DWG 003, BD4KS25P