



DEEP CYCLE
SERIES: 5000
MODEL: 4 KS 21P

BATTERY ENGINEERING
WWW.ROLLSBATTERY.COM MADE IN CANADA

BATTERY TYPE: 4 VOLTS

DIMENSIONS:

| | | |
|---------------|--------|---------------|
| LENGTH | 400 MM | 15 3/4 INCHES |
| WIDTH | 238 MM | 9 3/8 INCHES |
| HEIGHT | 629 MM | 24 3/4 INCHES |

WEIGHTS:

| | | |
|-------------------|--------|----------|
| WEIGHT DRY | 98 KG | 216 LBS. |
| WEIGHT WET | 121 KG | 267 LBS. |

CONTAINER CONSTRUCTION:

| | | | |
|---------------------------|---|-------------------|--|
| CONTAINER: (INNER) | POLYPROPYLENE | TERMINALS: | FLAG WITH STAINLESS STEEL NUTS AND BOLTS |
| COVER: (INNER) | POLYPROPYLENE - HEAT SEALED TO INNER CONTAINER | HANDLES: | MOLDED |
| CONTAINER: (OUTER) | HIGH DENSITY POLYETHYLENE | | |
| COVER: (OUTER) | HIGH DENSITY POLYETHYLENE SNAP FIT TO OUTER CONTAINER | | |

PLATES:

POSITIVE PLATE DIMENSION:

| | | |
|------------------|---------|---------------|
| HEIGHT | 432 MM | 17.000 INCHES |
| WIDTH | 143 MM | 5.625 INCHES |
| THICKNESS | 6.99 MM | 0.275 INCHES |

NEGATIVE PLATE DIMENSION:

| | | |
|------------------|---------|---------------|
| HEIGHT | 432 MM | 17.000 INCHES |
| WIDTH | 143 MM | 5.625 INCHES |
| THICKNESS | 4.57 MM | 0.180 INCHES |

CELLS: 2 **PLATES/CELL:** 21

POSITIVE PLATE DOUBLE WRAPPED WITH SLYVER ENVELOPED WITH HEAVY DUTY SEPARATOR

SEPARATOR:
THICKNESS 3 MM 0.105 INCHES

INSULATION:
GLASS MAT 1 MM 0.020 INCHES

CAPACITY:

| | | |
|---------------------|---------------|------|
| CRANK AMPS: | | |
| COLD (CCA) | 0°F / -17.8°C | 3095 |
| MARINE (MCA) | 32°F / 0°C | 3869 |

ELECTROLYTE RESERVE:
ABOVE PLATES 95 MM 3.75 INCHES

RESERVE CAPACITY:
RC @ 25A 3367 MINUTES

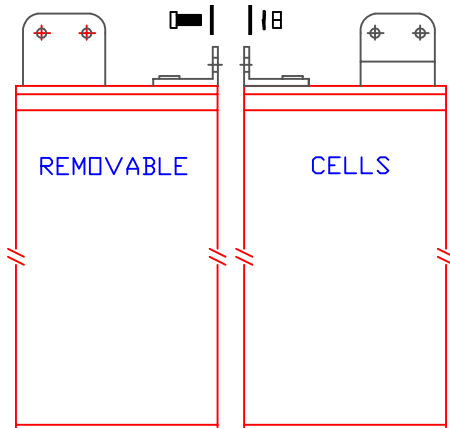
20 HR RATE: 1104

| | HOURLY RATE | SPECIFIC GRAVITY | CAP / AH | CURRENT / AMPS |
|-------------------|---------------------|-------------------------|-----------------|-----------------------|
| CAPACITY @ | 100 HOUR RATE | 1.280 SP. GR. | 1557 | 15.57 |
| CAPACITY @ | 72 HOUR RATE | 1.280 SP. GR. | 1468 | 20.39 |
| CAPACITY @ | 50 HOUR RATE | 1.280 SP. GR. | 1358 | 27.16 |
| CAPACITY @ | 24 HOUR RATE | 1.280 SP. GR. | 1148 | 47.8 |
| CAPACITY @ | 20 HOUR RATE | 1.280 SP. GR. | 1104 | 55.2 |
| CAPACITY @ | 15 HOUR RATE | 1.280 SP. GR. | 1027 | 68.4 |
| CAPACITY @ | 12 HOUR RATE | 1.280 SP. GR. | 960 | 80.0 |
| CAPACITY @ | 10 HOUR RATE | 1.280 SP. GR. | 916 | 91.6 |
| CAPACITY @ | 8 HOUR RATE | 1.280 SP. GR. | 861 | 107.6 |
| CAPACITY @ | 6 HOUR RATE | 1.280 SP. GR. | 784 | 130.6 |
| CAPACITY @ | 5 HOUR RATE | 1.280 SP. GR. | 740 | 148 |
| CAPACITY @ | 4 HOUR RATE | 1.280 SP. GR. | 684 | 171 |
| CAPACITY @ | 3 HOUR RATE | 1.280 SP. GR. | 618 | 206 |
| CAPACITY @ | 2 HOUR RATE | 1.280 SP. GR. | 530 | 265 |
| CAPACITY @ | 1 HOUR RATE | 1.280 SP. GR. | 375 | 375 |

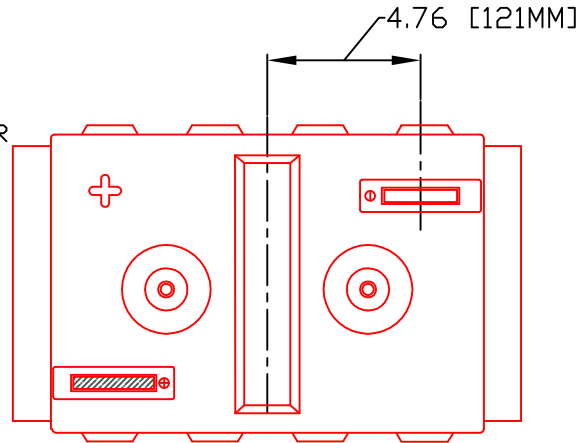


1 STATION RD SPRINGHILL, NOVA SCOTIA CANADA B0M 1X0 1.800.681.9914

REV.2
 Jan-10
 4 KS 21P



BOLT-ON CONNECTOR ASSEMBLY
2 X 316 SS NUT, WASHERS, LOCK WASHER AND BOLT



PART NUMBER:

4-KS-21P

WEIGHT WET:

267 LB / 121 KG

WEIGHT DRY:

216 LB / 98 KG

CAPACITY

1,104 AH 20 HR

VOLTAGE:

4 V

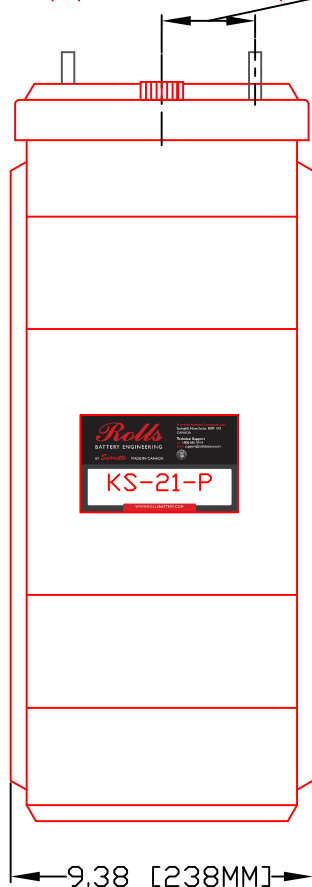
OVERALL DIMENSIONS:

15³/₄" X 9³/₈" X 24³/₄"

MAX HEIGHT WITH

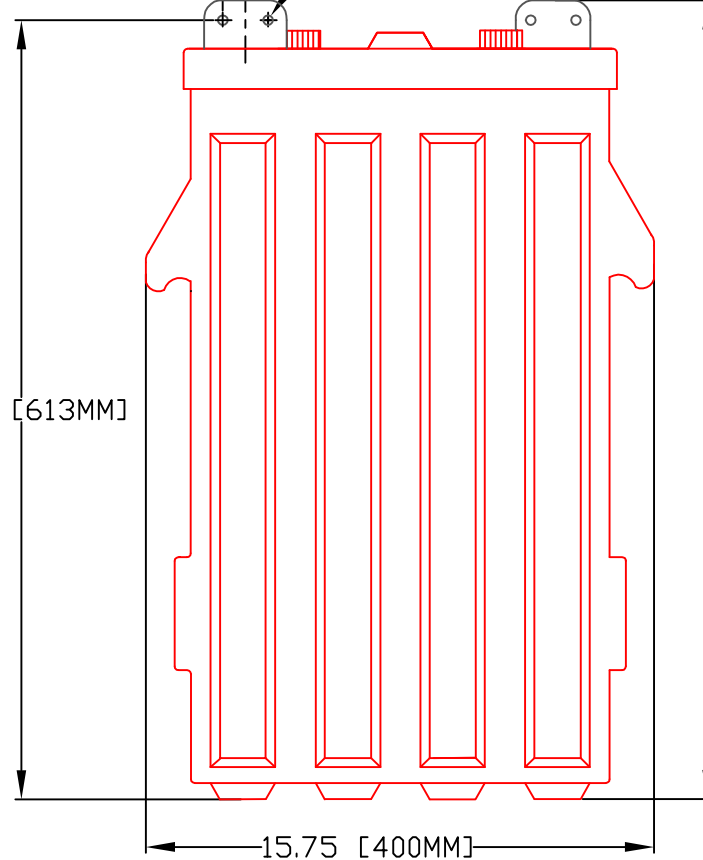
OPTIONAL HYDROCAPS 25.13" / 638 MM

0.70 [18MM] →
2.90 [74MM] →
Ø0.30 [Ø8MM]



24.15 [613MM]

9.38 [238MM]



15.75 [400MM]

24.75 [629MM]

Rolls
BATTERY ENGINEERING

TITLE:

4KS21P

DESCRIPTION:

4V / 2 CELL 21 PLATE (KS) DEEP CYCLE

CONTACT INFO:

WEB: WWW.ROLLSBATTERY.COM
E-MAIL: SALES@ROLLSBATTERY.COM
PHONE: 1-800-681-9914

SCALE: 1" = 6" 1" = 4" JPEG
8.5" X 11" 11" X 17" NOT TO SCALE

Drawn by:

S. WILES

Approved By:

D. SURRETTE

DATE: JAN-2010

REVISION 2.0

DRAWING NO.: DWG 002, BD4KS21P