



**DEEP CYCLE**  
**SERIES: 4000**  
**MODEL: 30 H 125**

**BATTERY ENGINEERING**  
**WWW.ROLLSBATTERY.COM MADE IN CANADA**

**BATTERY TYPE: 12 VOLTS**

**DIMENSIONS:**

<b>LENGTH</b>	335 MM	13 3/16 INCHES
<b>WIDTH</b>	171 MM	6 3/4 INCHES
<b>HEIGHT</b>	241 MM	9 1/2 INCHES

**WEIGHTS:**

<b>WEIGHT DRY</b>	26 KG	58 LBS.
<b>WEIGHT WET</b>	33 KG	73 LBS.

**CONTAINER CONSTRUCTION:**

<b>CONTAINER:</b>	POLYPROPYLENE	<b>TERMINALS:</b>	UNIVERSAL OR FLAG IF SPECIFIED
<b>COVER:</b>	POLYPROPYLENE SEALED TO CONTAINER	<b>HANDLES:</b>	PLASTIC MOUNTED TO COVER

**PLATES:**

**POSITIVE PLATE DIMENSION:**

<b>HEIGHT</b>	140 MM	5.500 INCHES
<b>WIDTH</b>	143 MM	5.625 INCHES
<b>THICKNESS</b>	3.43 MM	0.135 INCHES

**CELLS:** 6  
**PLATES/CELL:** 12

**NEGATIVE PLATE DIMENSION:**

<b>HEIGHT</b>	140 MM	5.500 INCHES
<b>WIDTH</b>	143 MM	5.625 INCHES
<b>THICKNESS</b>	2.24 MM	0.088 INCHES

**SEPARATOR THICKNESS** 1 MM 0.050 INCHES  
**INSULATION GLASS MAT** 1 MM 0.020 INCHES

**CAPACITY:**

<b>CRANK AMPS:</b>		
<b>COLD (CCA)</b>	0°F / -17.8°C	457
<b>MARINE (MCA)</b>	32°F / 0°C	572

**ELECTROLYTE RESERVE:**  
**ABOVE PLATES** 38 MM 1.5 INCHES  
**RESERVE CAPACITY:**  
**RC @ 25A** 235 MINUTES

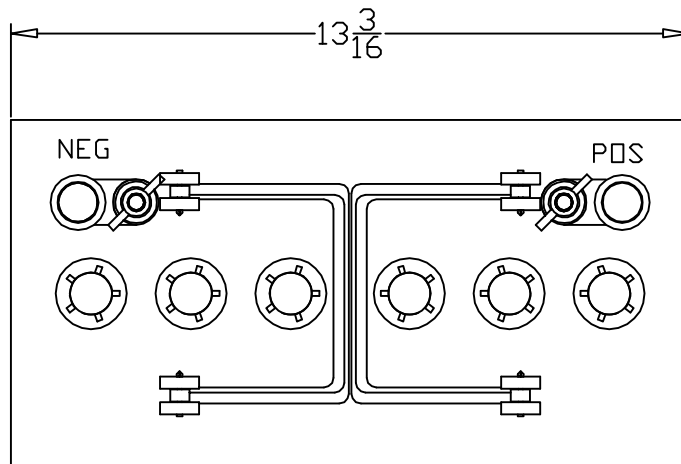
**20 HR RATE: 125**

	<b>HOUR RATE</b>	<b>SPECIFIC GRAVITY</b>	<b>CAP / AH</b>	<b>CURRENT / AMPS</b>
CAPACITY @	100 HOUR RATE	1.280 SP. GR.	166	1.66
CAPACITY @	72 HOUR RATE	1.280 SP. GR.	158	2.19
CAPACITY @	50 HOUR RATE	1.280 SP. GR.	149	2.98
CAPACITY @	24 HOUR RATE	1.280 SP. GR.	129	5.4
<b>CAPACITY @</b>	<b>20 HOUR RATE</b>	<b>1.280 SP. GR.</b>	<b>125</b>	<b>6.3</b>
CAPACITY @	15 HOUR RATE	1.280 SP. GR.	118	7.8
CAPACITY @	12 HOUR RATE	1.280 SP. GR.	111	9.3
CAPACITY @	10 HOUR RATE	1.280 SP. GR.	106	10.6
CAPACITY @	8 HOUR RATE	1.280 SP. GR.	100	12.5
CAPACITY @	6 HOUR RATE	1.280 SP. GR.	93	15.4
CAPACITY @	5 HOUR RATE	1.280 SP. GR.	88	18
CAPACITY @	4 HOUR RATE	1.280 SP. GR.	81	20
CAPACITY @	3 HOUR RATE	1.280 SP. GR.	74	25
CAPACITY @	2 HOUR RATE	1.280 SP. GR.	64	32
CAPACITY @	1 HOUR RATE	1.280 SP. GR.	45	45

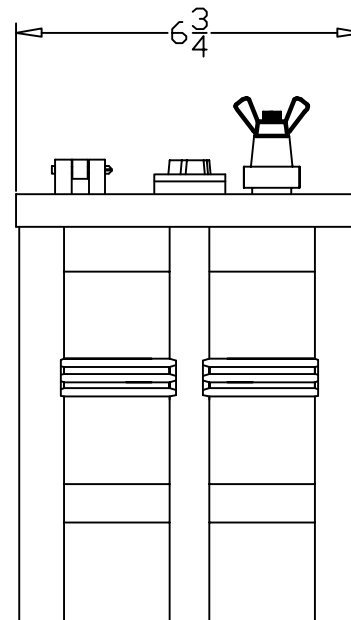
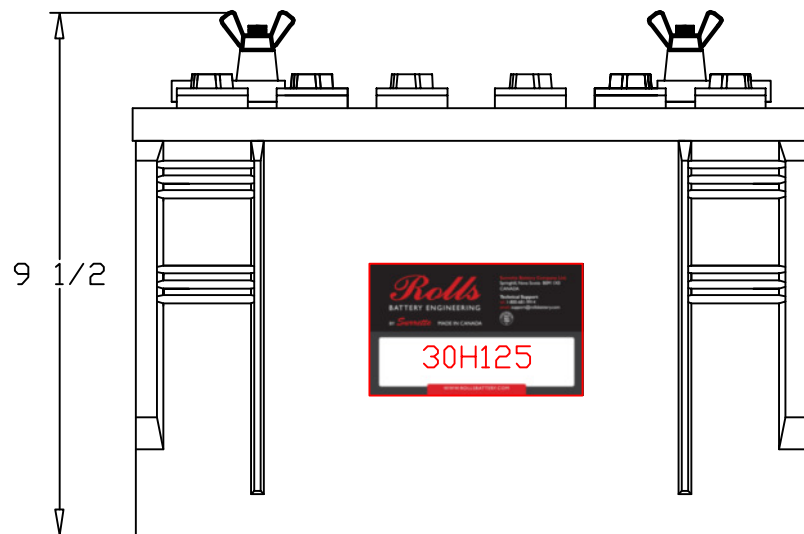


I STATION RD SPRINGHILL, NOVA SCOTIA CANADA B0M 1X0 1.800.681.9914

REV.2  
 Jan-10  
 30 H 125



PART NUMBER: 30H125  
 APPROX. WT WET: 73 LB / 33 KG  
 APPROX. WT DRY: 58 LB / 26 KG  
 CAPACITY: 125 AH 20 HR  
 VOLTAGE: 12 V  
 OVERALL DIM: 13<sup>3</sup>/<sub>16</sub> X 6<sup>3</sup>/<sub>4</sub> X 9<sup>1</sup>/<sub>2</sub>"



BATTERY ENGINEERING

TITLE: 30H125

DESCRIPTION: 12V DEEP CYCLE MARINE SERIES 4000

CONTACT INFO:  
 WEB: WWW.ROLLSBATTERY.COM  
 E-MAIL: SALES@ROLLSBATTERY.COM  
 PHONE: 1-800-681-9914

SCALE: 1" = 4" JPEG:  
 8.5" X 11" NOT TO SCALE

Drawn by: P. FERRON Approved By: JD SURRETTE

DATE: 17-MAR-10 REVISION 2

DRAWING NO.: 30H125.dwg