



**DEEP CYCLE**  
**SERIES: 5000**  
**MODEL: 2 YS 31P**

**BATTERY ENGINEERING**  
**WWW.ROLLSBATTERY.COM MADE IN CANADA**

**BATTERY TYPE: 2 VOLTS**

**DIMENSIONS:**

<b>LENGTH</b>	394 MM	15 1/2 INCHES
<b>WIDTH</b>	229 MM	9 INCHES
<b>HEIGHT</b>	803 MM	31 5/8 INCHES

**WEIGHTS:**

<b>WEIGHT DRY</b>	91 KG	200 LBS.
<b>WEIGHT WET</b>	129 KG	285 LBS.

**CONTAINER CONSTRUCTION:**

<b>CONTAINER: (INNER)</b>	POLYPROPYLENE	<b>TERMINALS:</b>	FLAG WITH STAINLESS STEEL NUTS AND BOLTS
<b>COVER: (INNER)</b>	POLYPROPYLENE - HEAT SEALED TO INNER CONTAINER	<b>HANDLES:</b>	MOLDED
<b>CONTAINER: (OUTER)</b>	HIGH DENSITY POLYETHYLENE		
<b>COVER: (OUTER)</b>	HIGH DENSITY POLYETHYLENE SNAP FIT TO OUTER CONTAINER		

**PLATES:**

**POSITIVE PLATE DIMENSION:**

<b>HEIGHT</b>	600 MM	23.625 INCHES
<b>WIDTH</b>	143 MM	5.625 INCHES
<b>THICKNESS</b>	6.99 MM	0.275 INCHES

**NEGATIVE PLATE DIMENSION:**

<b>HEIGHT</b>	600 MM	23.625 INCHES
<b>WIDTH</b>	143 MM	5.625 INCHES
<b>THICKNESS</b>	4.57 MM	0.180 INCHES

**CELLS:** 1      **PLATES/CELL:** 31

POSITIVE PLATE DOUBLE WRAPPED WITH SLYVER ENVELOPED WITH HEAVY DUTY SEPARATOR

**SEPARATOR:**  
**THICKNESS** 3 MM 0.105 INCHES

**INSULATION:**  
**GLASS MAT** 1 MM 0.020 INCHES

**CAPACITY:**

<b>CRANK AMPS:</b>		
<b>COLD (CCA)</b>	0°F / -17.8°C	5740
<b>MARINE (MCA)</b>	32°F / 0°C	7175

**ELECTROLYTE RESERVE:**  
**ABOVE PLATES** 95 MM 3.75 INCHES

**RESERVE CAPACITY:**  
**RC @ 25A** 8193 MINUTES

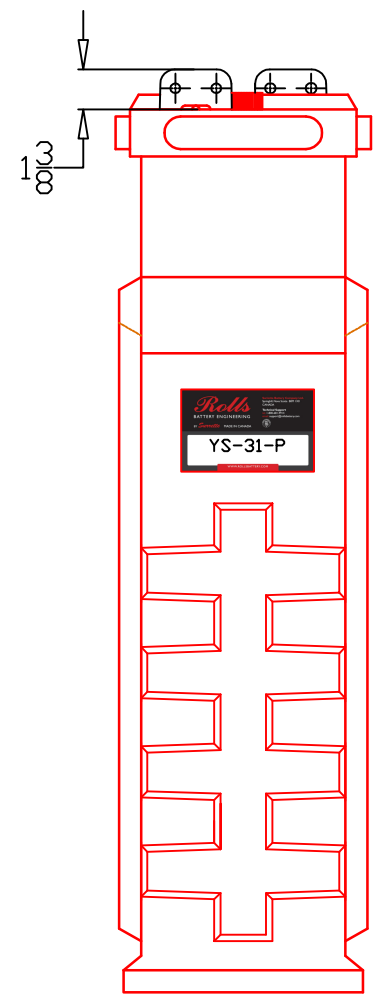
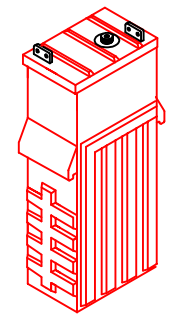
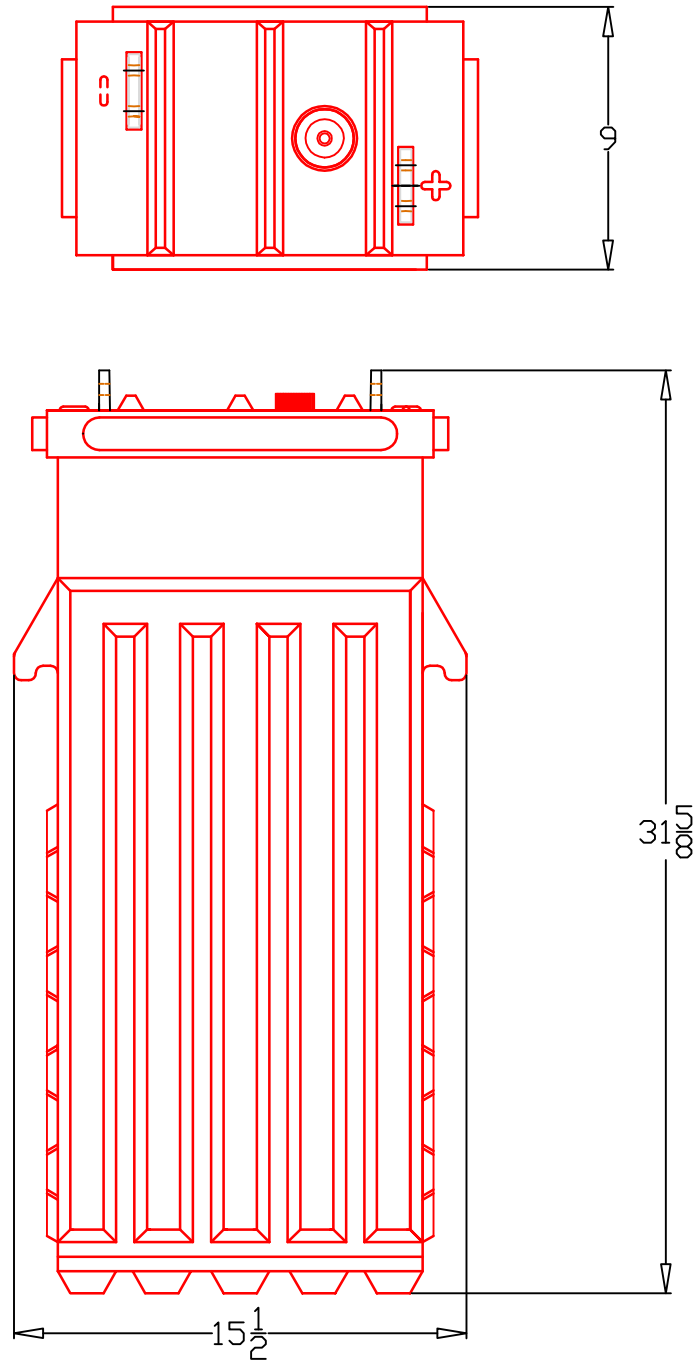
**20 HR RATE: 2430**

	<b>HOURLY RATE</b>	<b>SPECIFIC GRAVITY</b>	<b>CAP / AH</b>	<b>CURRENT / AMPS</b>
CAPACITY @	100 HOUR RATE	1.280 SP. GR.	3426	34.26
CAPACITY @	72 HOUR RATE	1.280 SP. GR.	3232	44.89
CAPACITY @	50 HOUR RATE	1.280 SP. GR.	2989	59.78
CAPACITY @	24 HOUR RATE	1.280 SP. GR.	2527	105.3
<b>CAPACITY @</b>	<b>20 HOUR RATE</b>	<b>1.280 SP. GR.</b>	<b>2430</b>	<b>121.5</b>
CAPACITY @	15 HOUR RATE	1.280 SP. GR.	2260	150.7
CAPACITY @	12 HOUR RATE	1.280 SP. GR.	2114	176.2
CAPACITY @	10 HOUR RATE	1.280 SP. GR.	2017	201.7
CAPACITY @	8 HOUR RATE	1.280 SP. GR.	1895	236.9
CAPACITY @	6 HOUR RATE	1.280 SP. GR.	1725	287.6
CAPACITY @	5 HOUR RATE	1.280 SP. GR.	1628	326
CAPACITY @	4 HOUR RATE	1.280 SP. GR.	1507	377
CAPACITY @	3 HOUR RATE	1.280 SP. GR.	1361	454
CAPACITY @	2 HOUR RATE	1.280 SP. GR.	1166	583
CAPACITY @	1 HOUR RATE	1.280 SP. GR.	826	826



1 STATION RD SPRINGHILL, NOVA SCOTIA CANADA B0M 1X0 1.800.681.9914

REV.2  
 Jan-10  
 2YS 31P



PART NUMBER: 2-YS-31P  
 WEIGHT WET EST: 285 LB/ 130 KG (ESTIMATED)  
 WEIGHT EST: 200 LB/ 91 KG (ESTIAMTED)

CAPACITY 2,430 AH 20 HR  
 VOLTAGE: 2 V

OVERALL DIMS: 15 1/2 X 9" X 31 5/8 "



AVAILABLE JUL-06



TITLE: 2 YS 31P	
DESCRIPTION: 2V / 1 CELL 31 PLATE	
CONTACT INFO: WEB: WWW.SURRETTE.COM E-MAIL: SALES@SURRETTE.COM PHONE: 1-800-681-9914	
SCALE: 1" = 7" 8.5" X 11"	JPEG: NOT TO SCALE
DATE: JAN-2010	REVISION REV 2
DRAWING NO.: BD2YS31P	