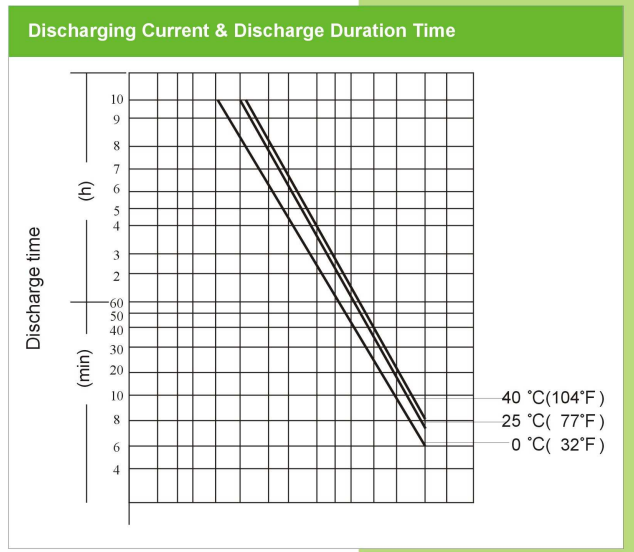
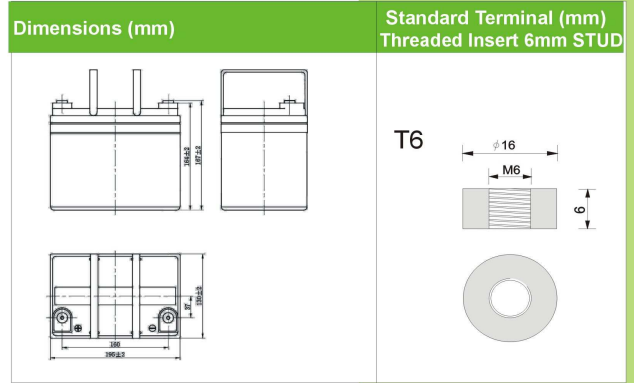
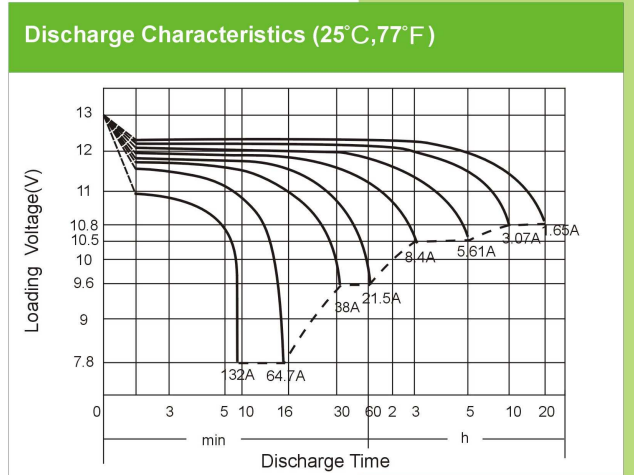


# BP12-33 (12V33AH)



| PHYSICAL SPECIFICATION  |                              |                       |
|-------------------------|------------------------------|-----------------------|
| Nominal Voltage         | 12V                          |                       |
| Nominal Capacity (20HR) | 33AH                         |                       |
| Dimension               | Length                       | 195±2mm (7.68 inches) |
|                         | Width                        | 130±2mm (5.12 inches) |
|                         | Container Height             | 164±2mm (6.46 inches) |
|                         | Total Height (with Terminal) | 167±2mm (6.57 inches) |
| Weight                  | Approx 10.5kg (23.15lbs)     |                       |
| Standard Terminal       | T6                           |                       |

| ELECTRICAL SPECIFICATION         |                       |        |                  |         |  |
|----------------------------------|-----------------------|--------|------------------|---------|--|
| Rated Capacity                   | 20 hour rate (1.65 A) | 33.0AH | Constant Voltage | Cycle   | Initial Charging Current less than 10.5A. Voltage 14.4V~ 15.0V at 25°C (77°F) Temp. Coefficient -30mV/°C |
|                                  | 10 hour rate (3.07A)  | 30.7AH |                  |         |  |
|                                  | 5 hour rate (5.51A)   | 27.6AH |                  |         |  |
|                                  | 1 hour rate (21.5A)   | 21.5AH |                  |         |  |
| Capacity affected by Temperature | 40°C (104°F)          | 103%   | Charge           | Standby | No limit on Initial Charging Current Voltage 13.5V~13.8V at 25°C(77°F) Temp. Coefficient - 20mV/°C       |
|                                  | 25°C (77°F)           | 100%   |                  |         |  |
|                                  | 0°C (32°F)            | 86%    |                  |         |  |



| Constant Current (Amp) and Constant Power (Watt) Discharge Table (25°C, 77°F) |               |       |       |       |      |      |      |      |       |      |       |      |      |
|---|---------------|-------|-------|-------|------|------|------|------|-------|------|-------|------|------|
| Amp/Watt/Cell   | Time(minute)  | 5     | 10    | 15    | 20   | 30   | 45   | 60   | 120   | 180  | 300   | 600  | 1200 |
|   | Final voltage | 1.3   | 1.3   | 1.3   | 1.3  | 1.6  | 1.6  | 1.67 | 1.7   | 1.75 | 1.75  | 1.75 | 1.8  |
| A   |               | 132.0 | 87.4  | 64.7  | 52.8 | 38.0 | 26.4 | 21.5 | 11.6  | 8.4  | 5.61  | 3.07 | 1.65 |
| W   |               | 223.4 | 151.6 | 115.5 | 96.5 | 70.5 | 49.9 | 41.1 | 25.74 | 16.5 | 11.11 | 6.17 | 3.32 |