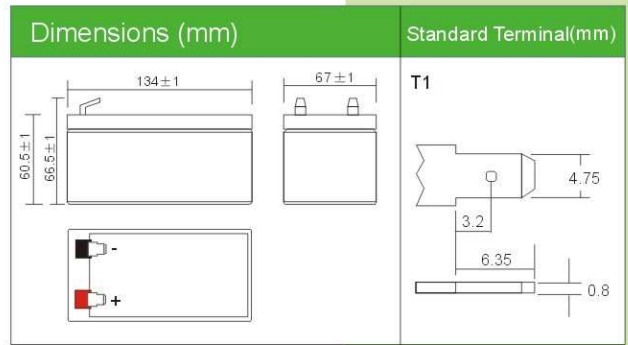
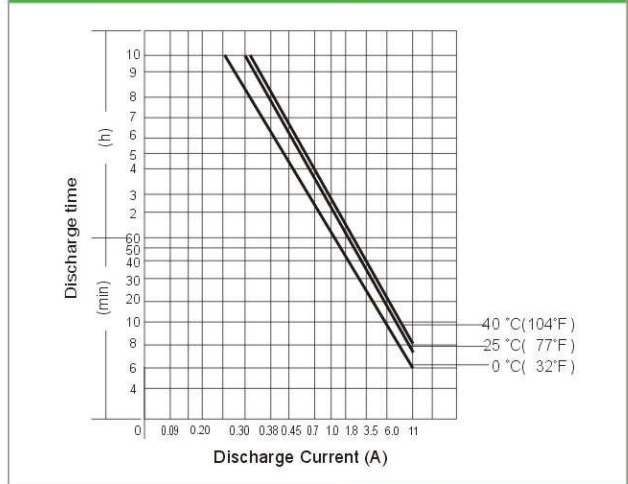




# BP12-3.5 (12V3.5AH)



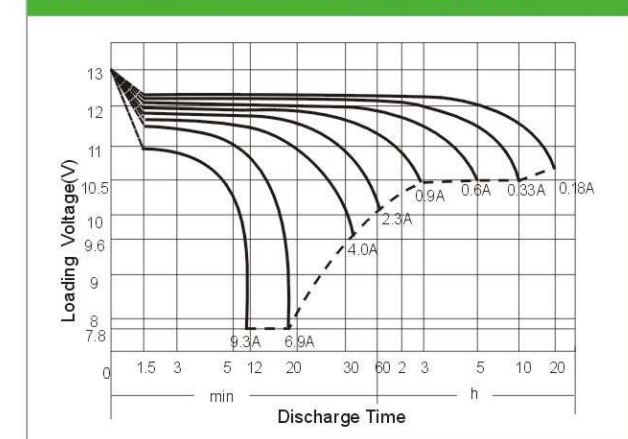
## Discharging Current & Discharge Duration Time



## Physical Specification

|                         |                              |                           |
|-------------------------|------------------------------|---------------------------|
| Nominal Voltage         |                              | 12V                       |
| Nominal Capacity (20HR) |                              | 3.5AH                     |
| Dimension               | Length                       | 134±1mm (5.28 inches)     |
|                         | Width                        | 67±1mm (2.64 inches)      |
|                         | Container Height             | 60.5±1mm (2.38 inches)    |
|                         | Total Height (with Terminal) | 66.5±1mm (2.62 inches)    |
| Weight                  |                              | Approx. 1.35kg (2.98 lbs) |
| Standard Terminal       |                              | T1(standard)              |

## Discharge Characteristics (25°C, 77°F)



## Electrical Specification

|                                  |                      |        |                         |  |  |
|----------------------------------|----------------------|--------|-------------------------|--|--|
| Rated Capacity                   | 20 hour rate (175mA) | 3.50AH | Constant-Voltage Charge | Cycle  | Initial Charging Current less than 0.96A. Voltage 14.4V~15.0V at 25°C (77°F). Temp. Coefficient -30mV/°C |
|                                  | 10 hour rate (326mA) | 3.26AH |                         |  |  |
|                                  | 5 hour rate (596mA)  | 2.98AH |                         |  |  |
|                                  | 1 hour rate (2.17A)  | 2.17AH |                         |  |  |
|                                  | 15minute rate (6.9A) | 1.73AH |                         |  |  |
| Capacity affected by Temperature | 40°C (104°F)         | 103%   | Standby                 | No limit on Initial Charging Current Voltage 13.5V~13.8V at 25°C(77°F). Temp. Coefficient -15mV/°C |  |
|                                  | 25°C (77°F)          | 100%   |                         |  |  |
|                                  | 0°C (32°F)           | 86%    |                         |  |  |

## Constant Current (Amp) and Constant Power (Watt) Discharge Table (25°C, 77°F)

| Time(minute) Final voltage/Cell | 5     | 10   | 15   | 20   | 30  | 45  | 60   | 120 | 180  | 300   | 600   | 1200  |
|---------------------------------|-------|------|------|------|-----|-----|------|-----|------|-------|-------|-------|
| Amp/Watt/Cell                   | 1.3   | 1.3  | 1.3  | 1.3  | 1.6 | 1.6 | 1.67 | 1.7 | 1.75 | 1.75  | 1.75  | 1.8   |
| A                               | 14.00 | 9.3  | 6.9  | 5.6  | 4.0 | 2.8 | 2.17 | 1.2 | 0.9  | 0.596 | 0.326 | 0.175 |
| W                               | 23.7  | 16.1 | 12.2 | 10.2 | 7.5 | 5.3 | 4.4  | 2.4 | 1.8  | 1.18  | 0.65  | 0.35  |